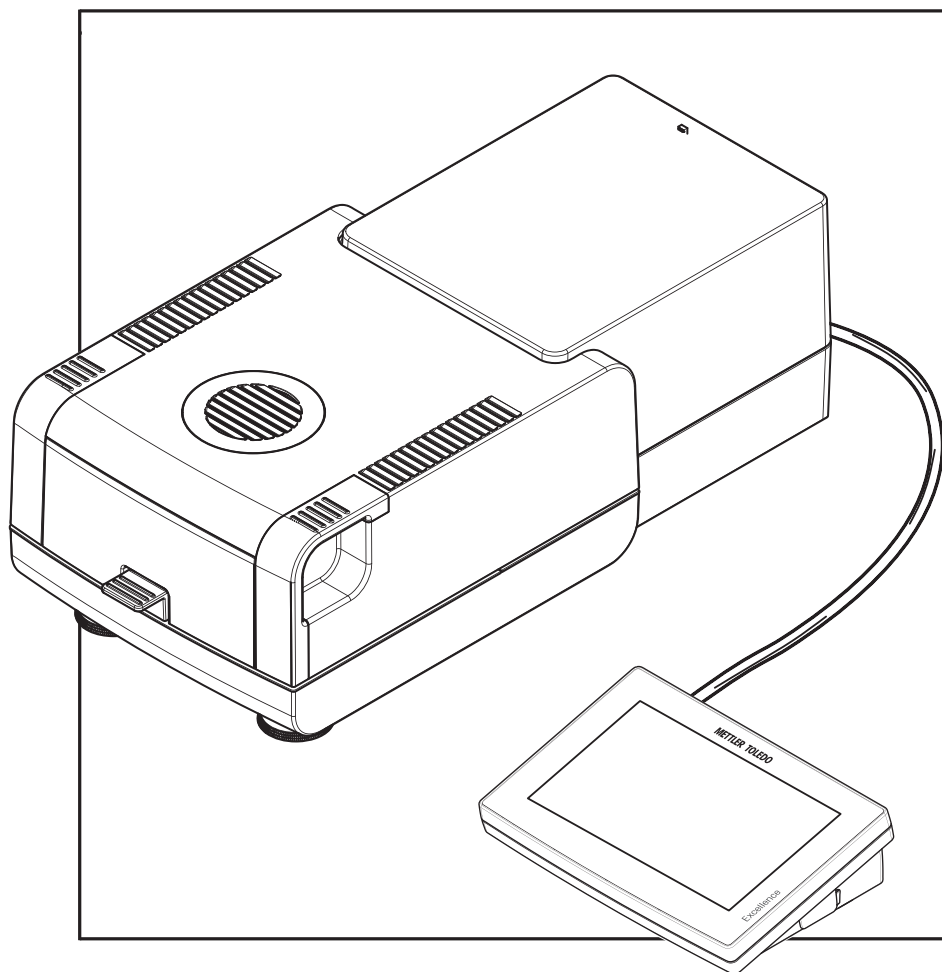


Moisture Analyzer

Excellence HS153



METTLER TOLEDO

Table of Contents

1	Introduction	5
1.1	Further documents and information	5
1.2	Explanation of conventions and symbols used	5
1.3	Compliance information	6
2	Safety Information	7
2.1	Definition of signal words and warnings symbols	7
2.2	Product-specific safety notes	7
3	Design and Function	10
3.1	Overview	10
3.1.1	Overview drying unit	10
3.1.2	Overview terminal	11
3.1.3	Overview type plate	11
3.2	Function description	12
4	Installation and Putting into Operation	13
4.1	Selecting the location	13
4.2	Unpacking the moisture analyzer	13
4.3	Scope of delivery	13
4.4	Connecting instrument	14
4.5	Setup wizard	14
4.6	Setting up the instrument	15
4.7	Leveling the instrument	16
4.8	Anti-theft device	17
4.9	Setting reading angle of terminal	17
4.10	Setting date and time	17
4.11	Adjusting after setup	18
4.12	Transporting, packing and storing	18
4.12.1	Transporting the Moisture Analyzer	18
4.12.2	Putting into operation after transport	18
4.12.3	Packing and storing	19
4.13	Installing USB device driver	19
5	Operating Elements and Interfaces	20
5.1	Operation keys	20
5.2	Electrical interfaces	20
6	Operation	22
6.1	Operation orientation	22
6.2	User interface	22
6.2.1	Operation keys	22
6.2.2	Screen navigation	22
6.2.3	Icons and buttons	23
6.2.3.1	Status message icons	23
6.2.3.2	Title bar icons	23
6.2.3.3	Action bar buttons	23
6.2.4	Basic elements on the touch screen	23
6.2.5	Home screen	23
6.2.6	Work screen	24
6.2.7	Input dialogs	25
6.2.7.1	Entering characters and numbers	25
6.2.7.2	Entering numerical values	26
6.2.7.3	Changing date and time	26
6.2.8	Lists and tables	27
6.3	Performing a simple measurement	28

7	Software Description	32
7.1	Method definition.....	32
7.1.1	Method parameters	32
7.1.1.1	Main measurement parameters	32
7.1.1.1.1	Drying program	32
7.1.1.1.2	Display mode.....	38
7.1.1.1.3	Start weight	41
7.1.1.2	Result and value handling	41
7.1.1.2.1	Control limits.....	42
7.1.1.2.2	QuickPredict.....	43
7.1.1.3	Workflow handling	45
7.1.1.3.1	Starting mode.....	45
7.1.1.3.2	Accessories.....	45
7.1.1.4	General method properties	46
7.1.1.4.1	Method name.....	46
7.1.1.4.2	Sample preparation.....	46
7.1.2	Creating a method	46
7.1.2.1	Creating a method with the Method Wizard	46
7.1.2.2	Creating a method manually	48
7.1.2.3	Creating a method by consulting the method library.....	48
7.1.3	Editing a method	48
7.1.4	Testing a method	49
7.1.4.1	Temperature assistant	49
7.1.4.2	Test measurement.....	50
7.1.4.3	Testing with AutoMet	51
7.1.5	Preparing a method for QuickPredict	52
7.1.5.1	Prerequisites to use QuickPredict for a method	52
7.1.5.2	Activating QuickPredict	53
7.1.5.2.1	License.....	53
7.1.5.2.2	Activating QuickPredict on the instrument	54
7.1.5.2.3	Enable QuickPredict for a method	55
7.1.5.3	Establishing the prediction knowledge	56
7.1.5.3.1	Process schedule	56
7.1.5.3.2	QuickPredict Wizard.....	56
7.1.5.3.3	Expert mode.....	57
7.2	Measurement.....	58
7.2.1	Performing a measurement	59
7.2.2	Preparing the sample	61
7.2.3	Working with weighing-in aid	61
7.2.4	Working with shortcuts	61
7.2.5	Working with QuickPredict	62
7.2.5.1	Performing measurements with QuickPredict.....	63
7.2.5.2	Handling QuickPredict results.....	65
7.2.5.3	Working with uncertainty thresholds.....	66
7.3	Results.....	67
7.3.1	Graphical evaluations of measurement results.....	67
7.3.2	Method versioning	69
7.3.3	Exporting results	70
7.3.3.1	Exporting results to an external storage device	70
7.3.3.2	Exporting results via SFTP server	70
7.3.3.3	Exporting results with EasyDirect Moisture	70
7.3.3.4	Single result export settings.....	71
7.3.3.5	Multiple result export settings	72
7.4	Test/Adjust.....	72
7.4.1	Tests	72
7.4.1.1	Weight test - external.....	73
7.4.1.2	Temperature test	73

7.4.1.3	SmartCal test.....	75
7.4.1.4	Measures after failed test	76
7.4.2	Adjustments	76
7.4.2.1	Weight adjustment - external.....	77
7.4.2.2	Temperature adjustment	77
7.4.3	History.....	79
7.5	Settings.....	80
7.5.1	User preferences	82
7.5.1.1	Languages.....	82
7.5.1.2	Screen	82
7.5.1.3	Sound	83
7.5.1.4	Password	83
7.5.2	Instrument settings.....	83
7.5.2.1	Regional settings	83
7.5.2.2	Peripherals.....	84
7.5.2.2.1	Workstations (MT-SICS)	84
7.5.2.2.2	Connecting printers / EasyDirect Moisture	84
7.5.2.3	Default settings.....	86
7.5.2.3.1	Default languages.....	86
7.5.2.3.2	Default screen settings	86
7.5.2.4	Shared directory.....	87
7.5.2.5	Company information.....	87
7.5.2.6	Touch screen adjustment	87
7.5.2.7	Network interfaces.....	88
7.5.2.7.1	Host name	88
7.5.2.7.2	Ethernet	88
7.5.3	Application settings	90
7.5.3.1	Identifications management	90
7.5.3.2	Print and export management	91
7.5.3.2.1	Print management	91
7.5.3.2.2	Recommended printer settings (strip printer)	93
7.5.3.2.3	Export management	93
7.5.3.3	Method selection.....	94
7.5.4	Quality management.....	94
7.5.4.1	Test / Adjustment settings	94
7.5.4.1.1	Equipment	95
7.5.4.1.2	Test settings.....	96
7.5.4.1.3	Adjustment settings.....	97
7.5.4.1.4	Print and output settings.....	97
7.5.4.2	QuickPredict.....	98
7.5.5	User management.....	98
7.5.5.1	Groups	98
7.5.5.2	Users.....	99
7.5.5.3	Account policies	100
7.5.6	System and data management	101
7.5.6.1	Result management	101
7.5.6.2	Export / Import.....	102
7.5.6.3	Back up / Restore	103
7.5.6.4	Export event logs	103
7.5.6.5	License manager	104
7.5.6.6	Reset.....	104
7.5.6.7	Update.....	105
7.5.7	Help and tutorials	105
8	Maintenance	106
8.1	Maintenance tasks	106
8.2	Cleaning	106
8.2.1	Sample chamber	107

8.2.2	Heating module	107
8.2.3	Fan grill	110
8.2.4	Putting into operation after cleaning	110
8.3	Replacing the dust filter	110
8.4	Replacing the power line fuse	110
8.5	Updating the software	111
9	Troubleshooting	113
9.1	Error messages	113
9.2	Error symptoms	114
10	Technical Data	118
10.1	General data	118
10.2	Model-specific data	119
10.3	Dimensions	120
10.3.1	Drying unit	120
10.3.2	Terminal	121
10.4	Interfaces specification	121
10.4.1	RS232C	121
10.4.2	USB host	122
10.4.3	USB device	122
11	Accessories and Spare Parts	123
11.1	Accessories	123
11.2	Spare parts	128
12	Disposal	129
	Index	131

1 Introduction

Thank you for purchasing a halogen moisture analyzer from METTLER TOLEDO. The moisture analyzer combines high performance with ease of use.

The Moisture Analyzer conforms with all common standards and directives. It supports stipulations, work techniques and result records as demanded by all international quality assurance systems, e.g. GLP (Good Laboratory Practice), GMP (Good Manufacturing Practice). The instrument has a CE declaration of conformity and METTLER TOLEDO as the manufacturer has been awarded ISO 9001 and ISO 14001 certification. This provides you with the assurance that your capital investment is protected in the long term by a high product quality and a comprehensive service package (repairs, maintenance, servicing, adjustment service).

This document is based on the software version V 3.30.

EULA

The software in this product is licensed under the METTLER TOLEDO End User License Agreement (EULA) for Software.

When using this product you agree to the terms of the EULA.

▶ www.mt.com/EULA

1.1 Further documents and information

▶ www.mt.com/moisture

▶ www.mt.com/hxhs

This document is available in other languages online.

▶ www.mt.com/HS153-RM

Instructions for cleaning a balance, "8 Steps to a Clean Balance":

▶ www.mt.com/lab-cleaning-guide

Search for software:

▶ www.mt.com/moisture-software

Search for documents:

▶ www.mt.com/library

For further questions, please contact your authorized METTLER TOLEDO dealer or service representative.

▶ www.mt.com/contact

1.2 Explanation of conventions and symbols used

Conventions and symbols

Key and button designations are indicated by a picture or bold text (e.g. **Save**).

 **Note** For useful information about the product.



Refers to an external document.

Elements of instructions

In this manual, step-by-step instructions are presented as follows. The action steps are numbered and can contain prerequisites, intermediate results and results, as shown in the example. Sequences with less than two steps are not numbered.

■ Prerequisites that must be fulfilled before the individual steps can be executed.

1 Step 1

➔ Intermediate result

2 Step 2

➔ Result

1.3 Compliance information

European Union

The instrument complies with the directives and standards listed on the Declaration of Conformity.

United States of America

This equipment has been tested and found to comply with the limits for a **Class A** digital device, pursuant to part 15 of the FCC Rules. These limits are designed to provide reasonable protection against harmful interference when the equipment is operated in a commercial environment. This equipment generates, uses, and can radiate radio frequency energy and, if not installed and used in accordance with the instruction manual, may cause harmful interference to radio communications. Operation of this equipment in a residential area is likely to cause harmful interference in which case the user will be required to correct the interference at his own expense.

Changes or modifications not expressly approved by the party responsible for compliance could void the user's authority to operate the equipment.

Compliance documents, e.g., the FCC Supplier Declaration of Conformity, are available online.

▶ www.mt.com/ComplianceSearch

2 Safety Information

Two documents named "User Manual" and "Reference Manual" are available for this instrument.

- The User Manual is available online in various languages.
- A printed version of the User Manual is delivered with the instrument.
- The Reference Manual is available online. This manual contains a full description of the instrument and its use.
- Keep both documents for future reference.
- Include both documents if you transfer the instrument to other parties.

Only use the instrument according to the User Manual and the Reference Manual. If you do not use the instrument according to these documents or if the instrument is modified, the safety of the instrument may be impaired and Mettler-Toledo GmbH assumes no liability.

2.1 Definition of signal words and warnings symbols

Safety notes contain important information on safety issues. Ignoring the safety notes may lead to personal injury, damage to the instrument, malfunctions and false results. Safety notes are marked with the following signal words and warning symbols:

Signal words

DANGER	A hazardous situation with high risk, resulting in death or severe injury if not avoided.
WARNING	A hazardous situation with medium risk, possibly resulting in death or severe injury if not avoided.
CAUTION	A hazardous situation with low risk, resulting in minor or moderate injury if not avoided.
NOTICE	A hazardous situation with low risk, resulting in damage to the instrument, other material damage, malfunctions and erroneous results, or loss of data.

Warning symbols



General hazard



Hot surface



Notice

2.2 Product-specific safety notes

Intended use

This instrument is designed to be used by trained staff. The instrument is intended for determining the weight loss during drying of samples.

Any other type of use and operation beyond the limits of use stated by Mettler-Toledo GmbH without consent from Mettler-Toledo GmbH is considered as not intended.

Moisture determination applications must be optimized and validated by the user according to local regulations. Application-specific data provided by METTLER TOLEDO is intended for guidance only.

Responsibilities of the instrument owner

The instrument owner is the person holding the legal title to the instrument and who uses the instrument or authorizes any person to use it, or the person who is deemed by law to be the operator of the instrument. The instrument owner is responsible for the safety of all users of the instrument and third parties.

Mettler-Toledo GmbH assumes that the instrument owner trains users to safely use the instrument in their workplace and deal with potential hazards. Mettler-Toledo GmbH assumes that the instrument owner provides the necessary protective gear.

Safety notes



WARNING

Death or serious injury due to electric shock

Contact with parts that carry a live current can lead to injury and death. If the instrument cannot be shut down in an emergency situation, people can be injured and the instrument can be damaged.

- 1 Check that the voltage printed on the instrument is the same as your local power supply voltage. If this is not the case, under no circumstances connect the instrument to the power supply, but contact a METTLER TOLEDO representative.
- 2 Only use the three-core power cable with equipment grounding conductor supplied by METTLER TOLEDO to connect your instrument.
- 3 Only connect it to a three-pin power socket with earthing contact.
- 4 Only use standardized extension cables with equipment grounding conductor for operating the instrument.
- 5 Make sure that the power plug is accessible at all times.
- 6 Arrange the cables so that they cannot be damaged or interfere with the operation.
- 7 Keep all electrical cables and connections away from liquids.



WARNING

Injury or death due to toxic or corrosive substances

Heating up toxic or corrosive substances, e.g., acids, can result in toxic or corrosive vapors that can cause injuries if they come in contact with the skin or the eyes or if they are inhaled.

- 1 When using chemicals and solvents, comply with the instructions of the manufacturer and the general laboratory safety rules.
- 2 Set up the instrument in a well-ventilated location.
- 3 When using dry substances that form toxic gases, place the instrument in a fume hood.



WARNING

Death or serious injuries due to flammable solvents

Flammable solvents in the vicinity of the instrument can ignite and lead to fire and explosions.

- 1 Keep flammable solvents away from the instrument.
- 2 When using chemicals and solvents, comply with the instructions of the manufacturer and the general laboratory safety rules.



CAUTION

Burns due to hot surfaces

During operation, parts of the instrument can reach temperatures that can cause burns if touched.

- 1 Do not touch the area marked with the warning symbol.
- 2 Ensure sufficient free space around the instrument to avoid heat accumulation and overheating (approx. 1 m free space above the heating module).
- 3 Never cover, tape or clog the vent over the sample chamber. Do not tamper with the vent in any other way.
- 4 Exercise caution when removing a sample. The sample itself, the sample chamber, the draft shield and the sample pan may be very hot.
- 5 Do not open the heating module during operation. Always let it cool down completely before opening.
- 6 Do not modify the heating module in any way.



NOTICE

Damage to the instrument due to corrosive substances and vapors

Corrosive substances and corrosive vapors can damage the instrument.

- 1 When using chemicals and solvents, comply with the instructions of the manufacturer and the general laboratory safety rules.
- 2 Ensure that the instrument parts touching your sample substance can not get altered by it.
- 3 Wipe off any condensation of corrosive vapours after an operation.
- 4 Work with small samples.



NOTICE

Damage to the instrument or malfunction due to the use of unsuitable parts

- Only use parts from METTLER TOLEDO that are intended to be used with your instrument.

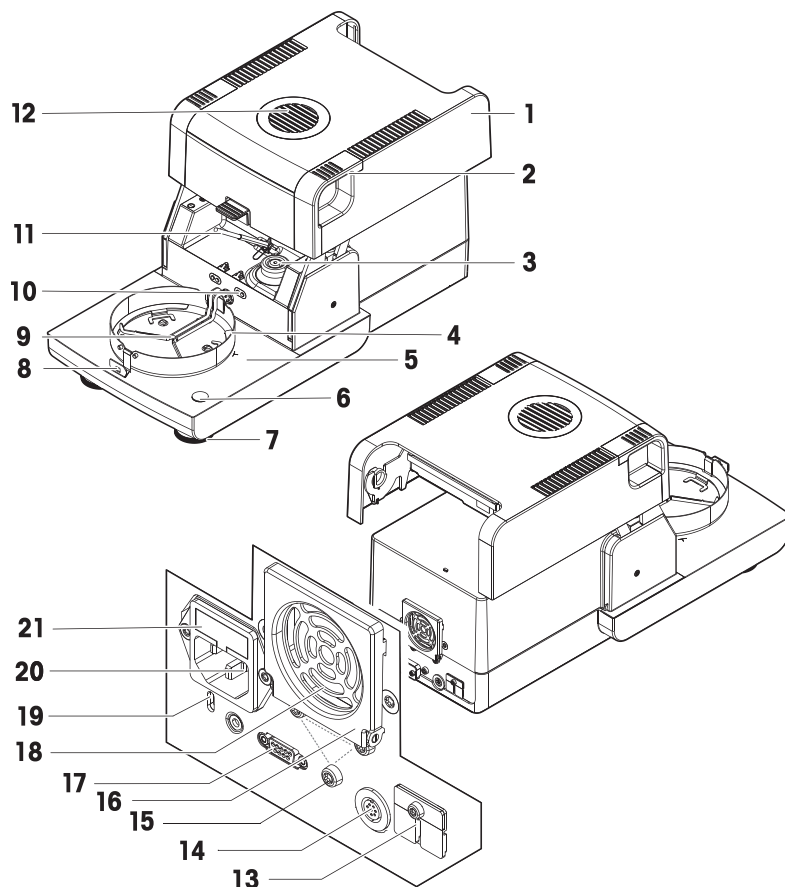
For related information concerning the QuickPredict function, **see** [Prerequisites to use QuickPredict for a method ▶ Page 52].

3 Design and Function

In order to work with your Moisture Analyzer, you need to familiarize yourself with the instrument layout, drying unit, graphical user interface of the touch screen as well as the terminal.

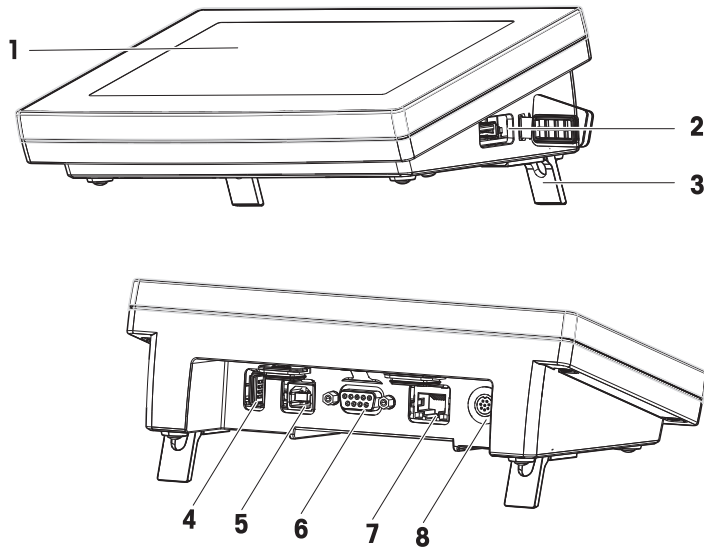
3.1 Overview

3.1.1 Overview drying unit



1	Heating module (with thermal overload protection)	12	Inspection window and vent
2	Handles for opening the sample chamber	13	2 Aux ports (n.a.)
3	Power contacts for halogen lamp	14	Socket for terminal connection cable
4	Draft shield element	15	Fastening for terminal stand
5	Sample chamber	16	Fan
6	Level indicator / Level sensor	17	RS232C (for production only)
7	Leveling screw	18	Dust filter (optional)
8	Sample pan handler	19	Kensington slot for anti-theft purposes
9	Sample pan holder	20	Power supply socket
10	Contacts for temperature kit (optional)	21	Power line fuse (plus replacement fuse)
11	Temperature sensor		

3.1.2 Overview terminal



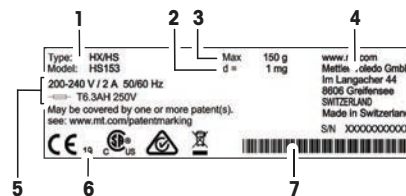
Legend terminal

1	Touch screen	5	USB Device port
2	USB Host port 1	6	RS232C port
3	Foot	7	Ethernet RJ45 port
4	USB Host port 2	8	Socket for terminal connection cable

3.1.3 Overview type plate

Drying unit type plate

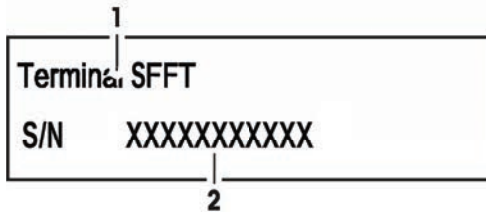
The type plate of the drying unit is located on the side of the drying unit and contains the following information:



1	Model designation	5	Power supply
2	Readability	6	Year of manufacture
3	Maximum capacity	7	Serial number (SNR)
4	Manufacturer		

Terminal type plate

The type plate of the terminal is located on the terminal and contains the following information:

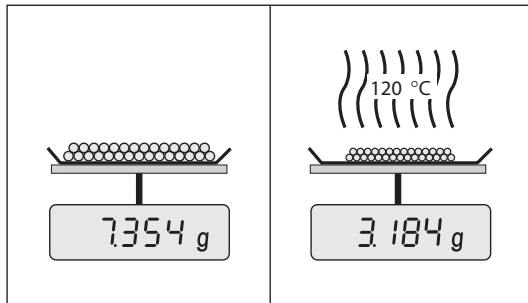


1 Model designation

2 Serial number (SNR)

3.2 Function description

METTLER TOLEDO moisture analyzers work on the thermogravimetric principle. At the start of the measurement the moisture analyzer determines the weight of the sample, the sample is then quickly heated by the absorption of the emitted infrared radiation. During the drying process the instrument continually measures the weight of the sample and displays the weight reduction, up to the final result.



With halogen heating technology, maximum heating power is quickly reached and allows use of high temperatures. Uniform heating of the sample material ensures repeatability of the drying results and makes it possible to use small amounts of sample.

The METTLER TOLEDO moisture portfolio comprises a range of moisture analyzers that differ from each other in both hardware and software.

The following features are available for the HS153 model:

- High safety and process control: management of multiple users with individual access rights. **See** User management
- Built-in testing methods to ensure performance: SmartCal and tests for the heating and weighing unit. **See** [Test/Adjust ▶ Page 72]
- Integrated method development support. **See** Creating a method
- Versatile data transfer and printing. **See** Exporting results
- Quick and easy cleaning. **See** [Cleaning ▶ Page 106]
- ID management. **See** [Identifications management ▶ Page 90]
- Optional: Reduced measurement time and quick decision making with QuickPredict™. **See** [Activating QuickPredict ▶ Page 53] and [Working with QuickPredict ▶ Page 62]

4 Installation and Putting into Operation

4.1 Selecting the location

A moisture analyzer is a sensitive precision instrument. The location where it is placed will have a profound effect on the accuracy of the results.

Requirements of the location

Place indoors on stable table

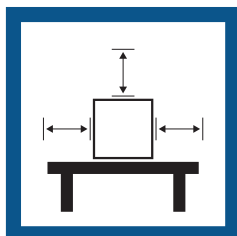
Ensure sufficient spacing

Level the instrument

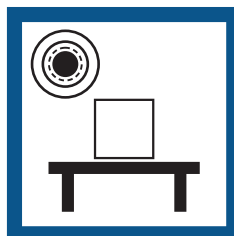
Provide adequate lighting



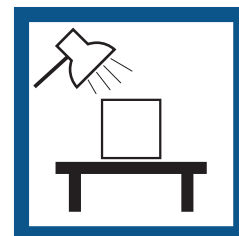
Avoid direct sunlight



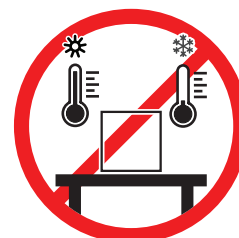
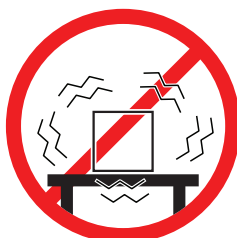
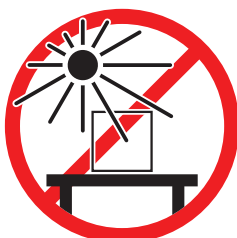
Avoid vibrations



Avoid strong drafts



Avoid temperature fluctuations



Take into account the environmental conditions. See "Technical Data".

Sufficient spacing for moisture analyzers: > 15 cm next to the instrument, > 1 m above the lid.

4.2 Unpacking the moisture analyzer

Check the package, the packaging elements and the delivered components for damages. If any components are damaged, please contact your METTLER TOLEDO service representative.

4.3 Scope of delivery

Moisture Analyzer	Documentation	Accessories
<ul style="list-style-type: none"> • 1 Drying unit • 1 Draft shield • 1 Power cable • 1 Terminal • 1 Terminal cable • 1 Sample handler • 1 Sample pan holder 	<ul style="list-style-type: none"> • 1 User Manual • 1 Application brochure «Guide to Moisture Analysis» • 1 Production certificate • EU-countries: 1 CE declaration of conformity 	<ul style="list-style-type: none"> • 80 aluminium sample pans • 3 Specimen samples (glass fibre filter) • 1 SmartCal sampler

4.4 Connecting instrument



WARNING

Death or serious injury due to electric shock

Contact with parts that carry a live current can lead to injury and death. If the instrument cannot be shut down in an emergency situation, people can be injured and the instrument can be damaged.

- 1 Check that the voltage printed on the instrument is the same as your local power supply voltage. If this is not the case, under no circumstances connect the instrument to the power supply, but contact a METTLER TOLEDO representative.
- 2 Only use the three-core power cable with equipment grounding conductor supplied by METTLER TOLEDO to connect your instrument.
- 3 Only connect it to a three-pin power socket with earthing contact.
- 4 Only use standardized extension cables with equipment grounding conductor for operating the instrument.
- 5 Make sure that the power plug is accessible at all times.
- 6 Arrange the cables so that they cannot be damaged or interfere with the operation.
- 7 Keep all electrical cables and connections away from liquids.

Two different versions of drying units with country-specific power cable are available:
110 V AC or 230 V AC

Connecting the terminal to the drying unit

- Drying unit and terminal are at the final location.
- 1 Connect one end of the supplied terminal cable to the system connection socket on the terminal.
 - 2 Screw the connector firmly.
 - 3 Connect the other end to the system connection socket on the drying unit.
 - 4 Screw the connector firmly.

Connecting the drying unit to the power supply

- The terminal is connected to the drying unit.
- 1 Connect one end of the power cable to the power supply socket on the drying unit.
 - 2 Connect the other end to the power line outlet.

See also

 [Overview terminal ▶ Page 11](#)

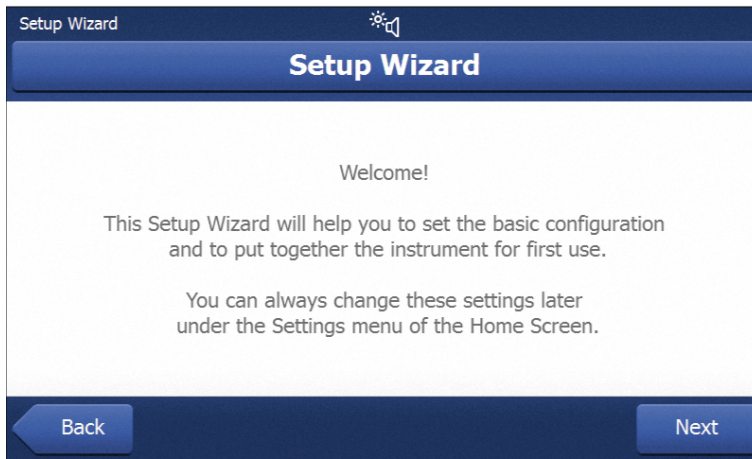
 [Overview drying unit ▶ Page 10](#)

4.5 Setup wizard

When you switch on your Moisture Analyzer for the first time or when a factory reset was performed, the **Setup Wizard** appears. The **Setup Wizard** is a step-by-step instruction, that helps to define the basic functions (**Language** and **Date format**) and to install the sample chamber of your device. The buttons in the action bar can be used for navigation.

It must be successfully finished. If it is not finished, the device is not operational and the function will reappear when the device is switched on the next time.

After the application **Setup Wizard** is successfully finished, the settings can be changed via **Settings** of the user home screen.



Note

The application **Setup Wizard** appears automatically when the instrument was switched on for the first time (or when a factory reset was performed). It must be successfully finished. If it is not finished, the device is not operational and the function will reappear when the device is switched on the next time. After the application **Setup Wizard** is successfully finished, the settings can be changed via **Settings** of the user home screen.

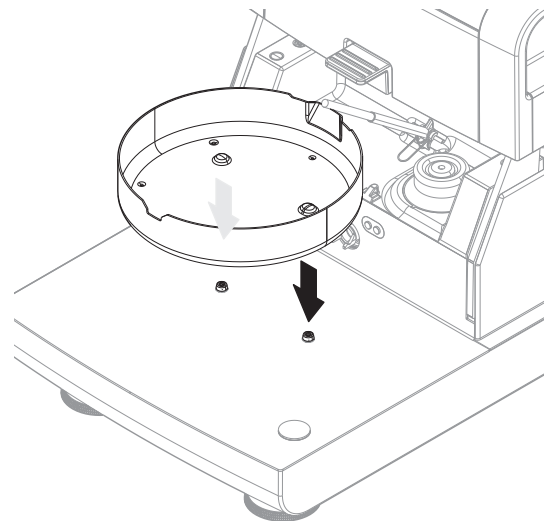
Note

The application **Instrument tutorial** starts automatically after the application **Setup Wizard** has successfully finished. This option can be skipped by inactivating the checkbox **Proceed to the Instrument Tutorial**. If you want to redo the application **Instrument tutorial**, it can be found in the section **Settings**.

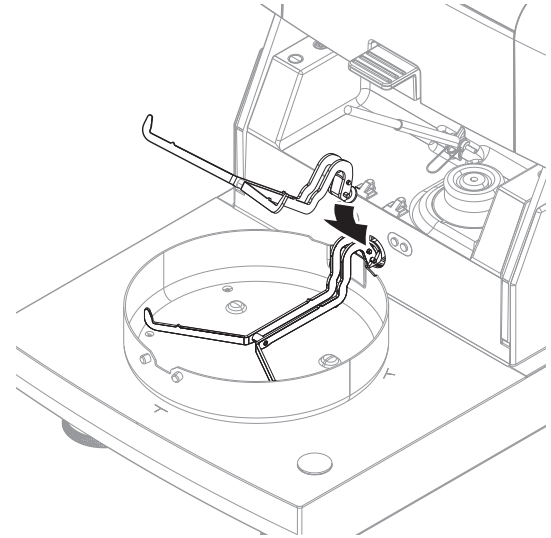
4.6 Setting up the instrument

- Terminal and drying unit are connected.

 - 1 To switch on the Instrument, press [⏻].
 - 2 Open the sample chamber.
 - 3 Place the draft shield element. Only one position is possible.
 - 4 Insert the sample pan holder carefully. Check that the sample pan holder is hooked correctly.



- 5 Insert the sample pan handler.



4.7 Leveling the instrument

Exact horizontal positioning and stable installation are prerequisites for repeatable and accurate results. To compensate for small irregularities or inclinations ($\pm 2\%$) at the location, the instrument must be leveled.

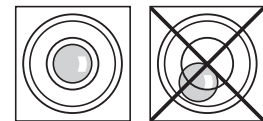
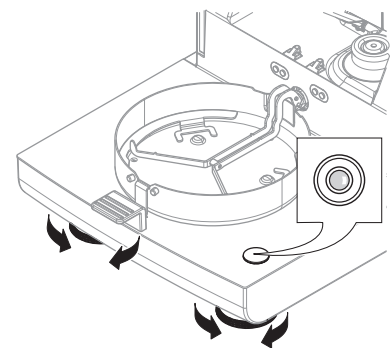
i Note

For leveling the drying unit use the function **Leveling guide** that can be found on **Settings > Help and tutorials > Instrument tutorial > 1. Leveling the instrument**.

For exact horizontal positioning, the drying unit has a level indicator (level) and 2 leveling screws. When the air bubble in the level indicator is exactly in the center, the instrument is standing perfectly horizontally. To level it, proceed as follows:

- 1 Position your Moisture Analyzer at the selected location.
- 2 Turn the two leveling feet until the air bubble is in the center of the level indicator.

L = left foot
R = right foot



Air bubble at 12 o'clock:



Turn both feet clockwise.



Air bubble at 3 o'clock:



Turn left foot clockwise, turn right foot counterclockwise.



Air bubble at 6 o'clock:



Turn both feet counterclockwise.



Air bubble at 9 o'clock:



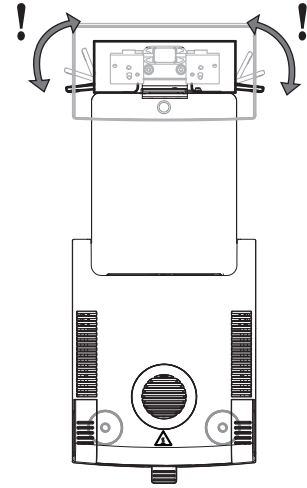
Turn left foot counterclockwise, turn right foot clockwise.



Leveling the drying unit with optional stand for terminal mounted.

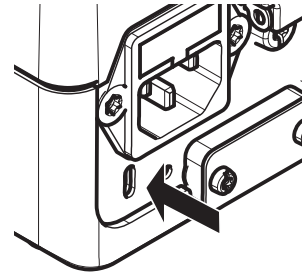
- The drying unit is positioned at the selected location.

 - 1 To loose the clamps for the safety feet of the stand, turn them outwards.
 - 2 Level the drying unit as previously described.
 - 3 To lock the clamps for the safety feet, turn them inwards as far as they will go.



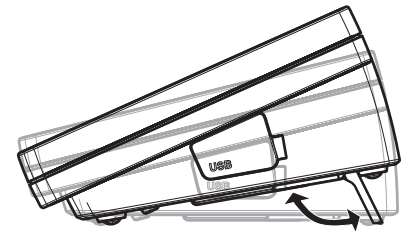
4.8 Anti-theft device

For protection against theft, your drying unit is fitted with a Kensington security slot for an anti-theft device. To find a suitable anti-theft cable **see** [Accessories and Spare Parts ▶ Page 123].



4.9 Setting reading angle of terminal

- To change the reading angle, fold out the two tilt feet.



4.10 Setting date and time

Navigation: Home > Settings > Instrument settings > Regional Settings

When you put your new instrument into operation for the first time, you should enter the current date and time. These settings are retained even if you disconnect your instrument from the power supply.

Note

Various languages are available for the dialog with your instrument and can be selected in the menu:

Navigation: Settings > User preferences.

Set the current date

- **Regional Settings** is selected.

 - 1 Tap **Date**.
 - 2 Set day, month and year.
 - 3 Confirm with [**Set date**].

Set the current time

- **Regional Settings** is selected.
- 1 Tap **Time**.
- 2 Set Hours and minutes.
- 3 Confirm with [**Set time**].

4.11 Adjusting after setup

Adjust the instrument in the following cases:

- Before the instrument is used for the first time.
- If a test has failed.
- If the instrument has been disconnected from the power supply or in the event of power failure.
- After significant environmental changes, e.g., temperature, humidity, air draft or vibrations.
- At regular intervals.

METTLER TOLEDO offers an adjustment service. For more information, contact your METTLER TOLEDO service representative.

The following adjustment options are possible:

- Balance adjustment with external weight
- Temperature adjustment with temperature kit
- To verify the overall performance of the Moisture Analyzer after the aforementioned adjustments, perform a SmartCal test.

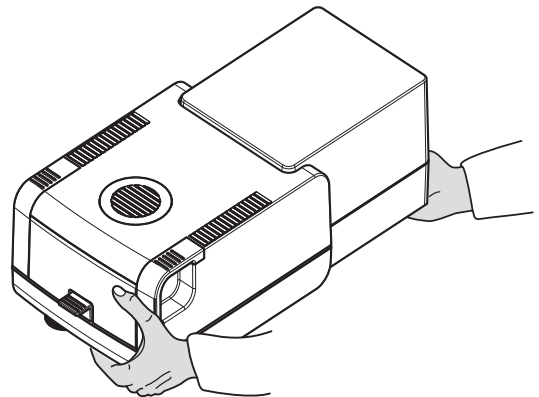
For more information to perform these operations **see** [Test/Adjust ▶ Page 72].

4.12 Transporting, packing and storing

4.12.1 Transporting the Moisture Analyzer

Transporting the Moisture Analyzer over short distances

- 1 Switch off the instrument and unplug all interface cables.
- 2 Hold the instrument with both hands as shown.
- 3 Carefully lift the instrument and carry it in horizontal position to the new location.



Transporting the Moisture Analyzer over long distances

For transporting the Moisture Analyzer over long distances, always use the original packaging or the designated transport case (**see** "Accessories").

4.12.2 Putting into operation after transport

Putting into operation after transport:

- 1 Connect drying unit and terminal.
- 2 Check the level status. Level the Moisture Analyzer if necessary.

- 3 METTLER TOLEDO recommends to perform weight and temperature tests and, if necessary, adjustments after transporting the Moisture Analyzer.
➔ The Moisture Analyzer has been put into operation and is ready to use.

See also

- 🔗 Connecting instrument ▶ Page 14
- 🔗 Test/Adjust ▶ Page 72
- 🔗 Setting up the instrument ▶ Page 15

4.12.3 Packing and storing

Packing the moisture analyzer

Store all parts of the packaging in a safe place. The elements of the original packaging are developed specifically for the moisture analyzer and its components, and ensures optimal protection during transportation and storage.

Storing the moisture analyzer

Store the moisture analyzer under following conditions:

- Indoor and in the original packaging.
- According to the environmental condition, see "Technical data".

i Note

When storing for longer than six months, the rechargeable battery may be down (date and time get lost).

See also

- 🔗 General data ▶ Page 118

4.13 Installing USB device driver

To transmit commands via USB device interface, a USB driver program has to be installed on the instrument and PC. The driver program is automatically installed during setup of the instrument. However, in case of an installation error, the software can be downloaded online and installed manually.

Find the download link on:

▶ www.mt.com/labweighing-software-download

Requirements

- PC with one of the following Microsoft Windows® 32-bit/64-bit operating systems: Win 7 (SP1), Win 8 or Win 10.
- USB cable to connect the instrument to the PC.

Downloading and installing the USB driver

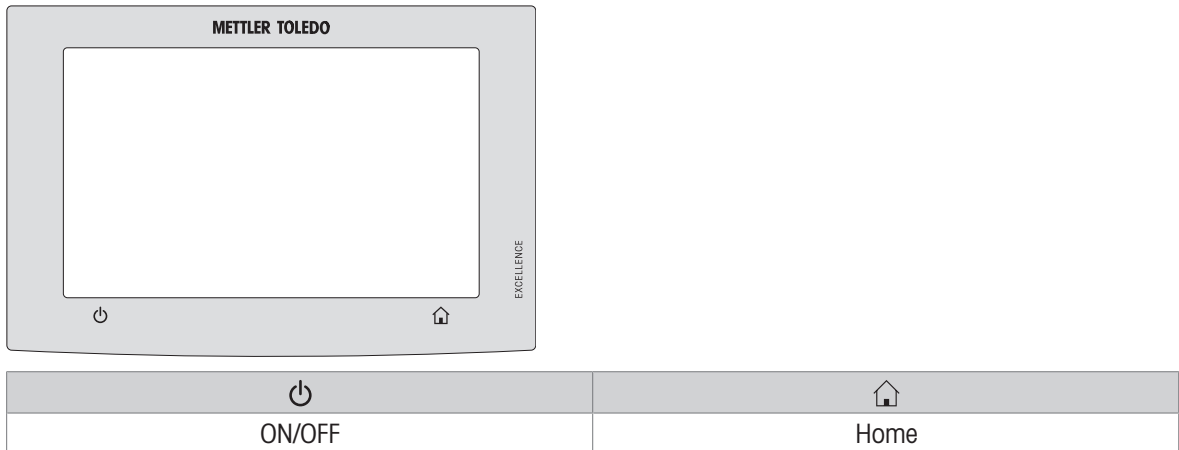
- 1 Open the download portal (see above) on your PC.
- 2 Download the driver software and extract the .zip file.
- 3 Right-click on the extracted .exe installation program and select **Run as Administrator**.
- 4 If a safety warning appears, allow windows to perform the installation.
- 5 Click **Next** and follow the installer's instructions.

Connecting the instrument to the PC

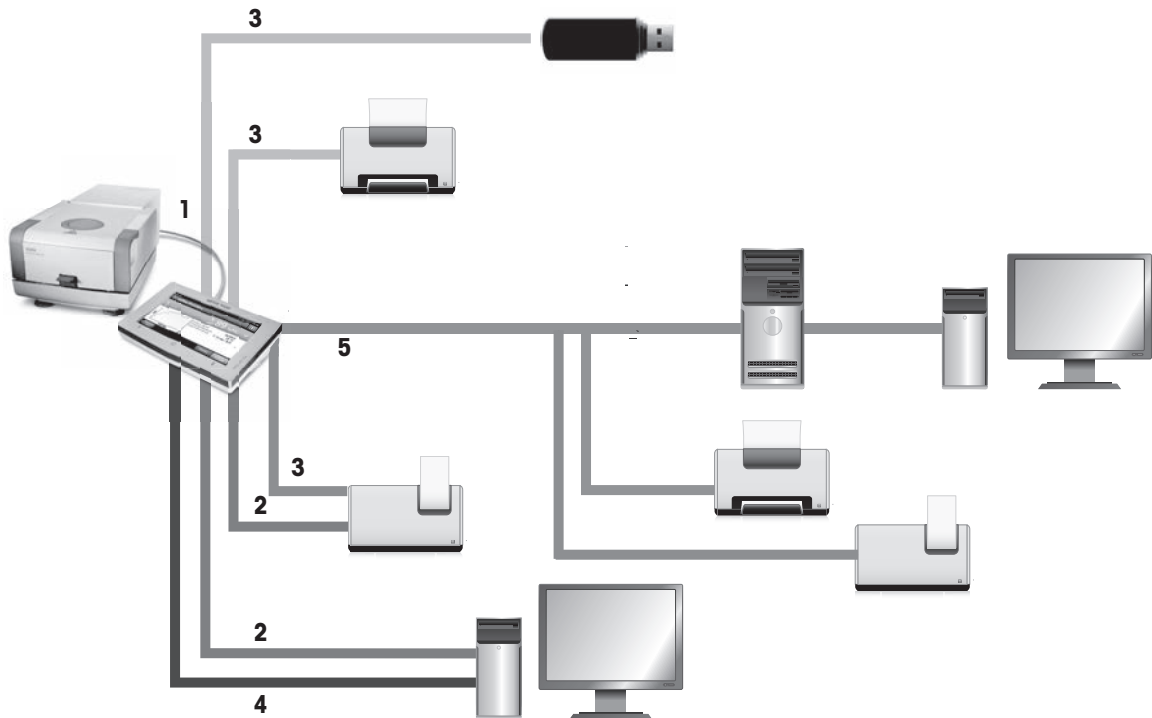
- 1 Connect the moisture analyzer to the preferred USB port on the PC.
- 2 Follow the instructions on the PC and install the software automatically (recommended).
- 3 Check that the instrument is listed as a device (COM Port) on your PC.
- 4 Set USB interface in the peripheral settings of the instrument.

5 Operating Elements and Interfaces

5.1 Operation keys



5.2 Electrical interfaces



Legend connectivity

<p>1 System connection Connects terminal and drying unit.</p>	<p>2 RS-232 interface (COM1) Connects the instrument to a peripheral device with a 9-pin male connector. For example:</p> <ul style="list-style-type: none"> • Strip printer • Computer (for data exports) • EasyDirect Moisture
--	--

<p>3 USB host interface (Type A socket, SOU) Connects the instrument to a peripheral USB device. For example:</p> <ul style="list-style-type: none"> • Memory stick (up to 32 GB) • (A4/letter) Printer • Strip printer 	<p>4 USB Device connection (Type B socket, USB device Interface) Connects the instrument to a peripheral USB host device. For example:</p> <ul style="list-style-type: none"> • Computer (for data exports) • EasyDirect Moisture
<p>5 Ethernet interface Connects the instrument to a TCP/IP network. For example:</p> <ul style="list-style-type: none"> • Workstations (for data exports) • SFTP servers • (A4/letter) Printer • Strip printer • EasyDirect Moisture <p>DHCP and fixed IP addresses are supported.</p>	

6 Operation

6.1 Operation orientation

The Moisture Analyzer is mainly operated via the touchscreen and keys of the terminal.

Before a measurement can be made, a method must first be defined. Methods define the parameters of a measurement, such as the temperature to which the sample is heated or the criterion after which the measurement is finalized. The optimum parameters differ from sample to sample. The instrument and METTLER TOLEDO support you in finding a suitable method for your sample.



Once a method has been defined, the actual measurement can be started: The sample is placed in the sample chamber and prepared. Then the heating module is closed and the sample is heated. Depending on the sample and the method, the measurement can take from a few minutes to a few hours.

When the measurement is finished, the end result is shown on the terminal screen. The result of the measurement can also be exported or printed.

The Moisture Analyzer can be used immediately for another measurement.

6.2 User interface

6.2.1 Operation keys

Key	Designation	Description
	ON/OFF	Switches the Moisture Analyzer on / into standby mode (to switch it off completely, it has to be unplugged from the power supply).
	Home	Directly returns to the home screen from any other menu level.

6.2.2 Screen navigation

The colored touch screen is a touch-sensitive WVGA monitor. It displays information and allows you to enter commands by touching certain areas on its surface: You can choose the information displayed on the screen, change terminal settings or perform certain operations on the instrument.

Only those elements which are available for the current dialog appear on the display.



NOTICE

Damage to the touch screen due to pointed or sharp objects

- Operate the touch screen with your fingers.

Note

The sensitivity of the touch screen is set to a default value. The sensitivity of the touch screen can be defined with the function **Touch screen adjustment** in the section **Settings**.

The surface navigation of the touch screen works in the same way as on most common touch screens:

Selecting a button or an icon

- Tap on it.




Scrolling

- Drag the button in the scroll bar up or down.
- Or tap ▲ or ▼

6.2.3 Icons and buttons


6.2.3.1 Status message icons

Status messages are displayed by means of small icons in the status bar of the display. The status icons indicate the following:

Icon	Status description	Diagnostic	Remedy
	Service is due.	–	Contact your METTLER TOLEDO support representative.
	Quick Access icon (displayed continuously)	Quick setting of brightness and sound.	-
	EasyDirect Moisture connection icon	Indicates the connection of the device to EasyDirect Moisture .	-

6.2.3.2 Title bar icons

The title bar icons only appear when they are active. The icons which appear in the title bar, are listed with their function below:

Parameter	Description
	Create a shortcut and add it to your user home screen. Edit or remove an existing shortcut see [Working with shortcuts ▶ Page 61].


6.2.3.3 Action bar buttons

The action bar contains action buttons for triggering any of the actions which are required and available in the current dialog (e.g. **Back**, **->0/T<-**, **Print**, **Save**, **Delete**, **OK**). There are up to six action buttons available for a work step.

6.2.4 Basic elements on the touch screen

	Name	Explanation
1	Status bar	The status bar contains the user name, status icons as well as date and time. See Status Message Icons.
2	Title bar	The title bar contains elements for the user's orientation and information, as well as for special functions. See [Title bar icons ▶ Page 23].
3	Content area	The content area is the main working area of the menus and the applications, content depends on application or performed action. The content area also shows graphic illustrations such as the curve diagram of a data set (e.g. drying curve).
4	Action bar	The action bar contains action buttons for triggering the actions which are required and available in the current dialog (e.g. Back , ->0/T<- , Print , Save , Delete , OK). See [Action bar buttons ▶ Page 23].

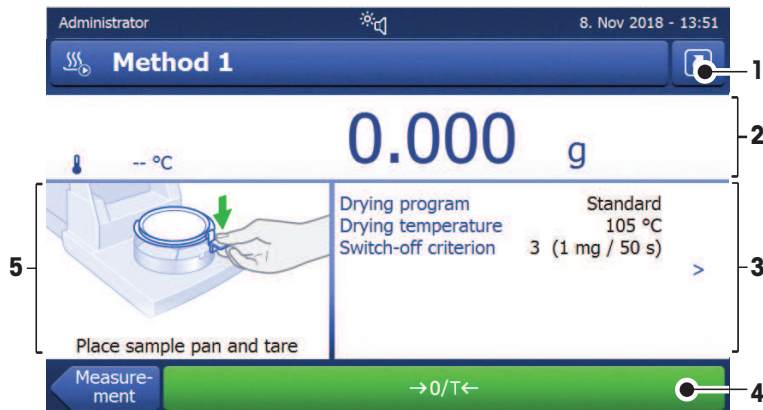
6.2.5 Home screen

The user **Home** screen is the main screen and appears after startup or login of the instrument. All sections of the user interface can be accessed from the home screen. Returning to the **Home** screen is possible from all other screens of the user interface by pressing the [] key or tapping the [**Home**] button.



	Name	Explanation
1	Main Menu	<p>Measurement Start measurement. Prerequisite: Method is defined and all necessary settings are made.</p> <p>Results Display, print and export results</p> <p>Method Definition Define, edit, test or delete a method</p> <p>Test/Adjust Adjust or test the integrated balance and the heating module and perform SmartCal tests.</p> <p>Settings Define instrument-, user-, and data-management settings. Find help and tutorials under this menu item.</p>
2	User shortcuts	Shows user-specific shortcuts for frequently used methods. Shortcuts are saved in the user profile.
3	Instrument info	Shows general info about the instrument and the software (e.g. serial number, software version).

6.2.6 Work screen



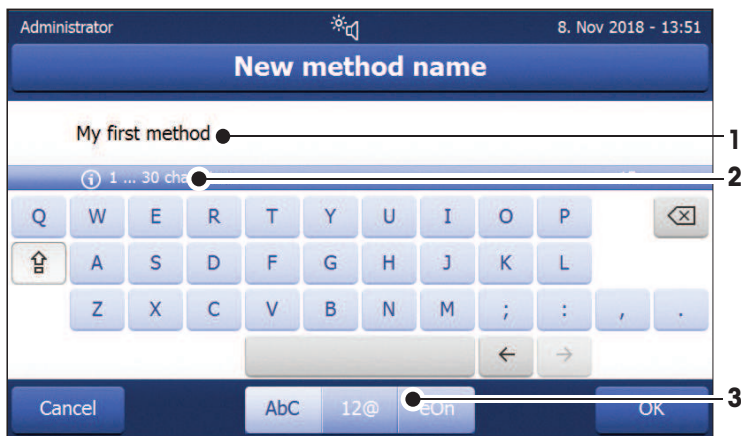
	Name	Explanation
1	Shortcut button	Adding/editing a shortcut to the current method (to the home screen).
2	Value panel	Current measured (or predicted) values of the work process.

	Name	Explanation
3	Parameter panel	Parameters of the current work process. A detailed overview of the method parameters appears after tapping the parameter panel. Identifications (IDs) appear after tapping the ID panel for entering or editing values (comments). ID panel appears only if identification input is activated in the menu.
4	Action buttons	Action buttons which are required and available for the current dialog (e.g. Back , ->0/T<- , Print , Save , Delete , OK).
5	Graphics panel	Graphical illustrations, e.g. of the drying curves, instructions for the user for performing tasks, and weighing-in aid.

6.2.7 Input dialogs

6.2.7.1 Entering characters and numbers

The keyboard dialog allows you to enter characters including letters, numbers and a variety of special characters. The country-specific layout of the keyboard is in accordance with the selected language, **see** [Regional settings ▶ Page 83].



	Name	Explanation
1	Input field	Shows the data that has been entered.
2	Explanation field	Indicates the maximum number of characters allowed.
3	Shift	Switches the keyboard between standard and special characters.

– Confirm with [OK] (To exit keyboard tap [Cancel]).

	Function
	Shifts between lower and upper case letters
	Deletes last character
	Cursor left
	Cursor right

Note

It is also possible to place cursor directly in input field by tapping the respective position.

6.2.7.2 Entering numerical values

The numerical keypad dialog allows you to enter numerical values.

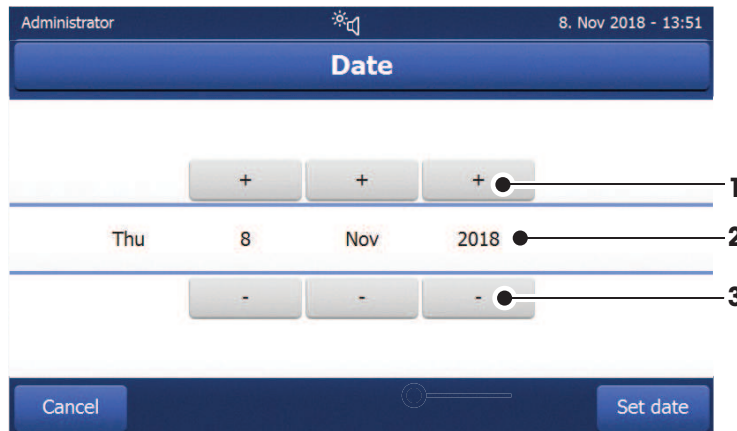


	Name	Explanation
1	Switch	If a switch appears, located on the left side in the title bar; it must be switched on for the entry of a value: O = OFF , I = ON
2	Input field	Shows the data that has been entered.
3	Explanation field	The valid input range is indicated.
	Delete button	Deletes last character.
	Cursor left	Jumps one character to the left.
	Cursor right	Jumps one character to the right.

- Confirm with [**OK**].
To exit keypad, tap [**Cancel**].

6.2.7.3 Changing date and time

This dialog (Picker view) allows you to set the date and time by picking from the built-in calendar/clock.



	Name	Explanation
1	Pick button	Increases the value
2	Explanation field	Shows the current value
3	Pick button	Reduces the value

- Confirm with [**Set date**]. (To exit without changing, tap [**Cancel**].)

6.2.8 Lists and tables

Simple list view

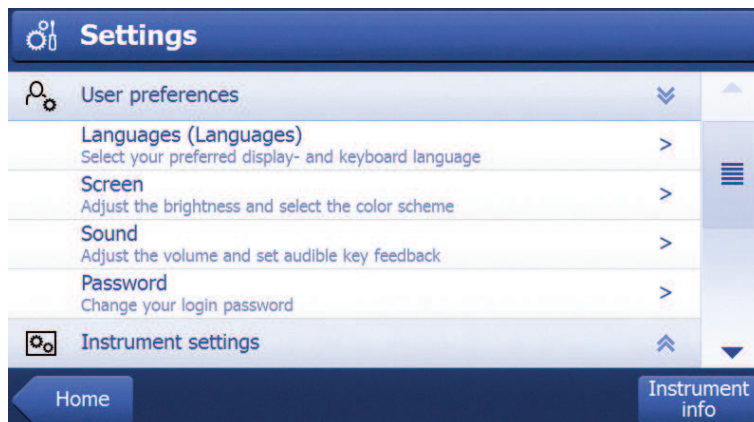
Basic elements of a simple list including a content title. If necessary, the content area can be scrolled vertically.



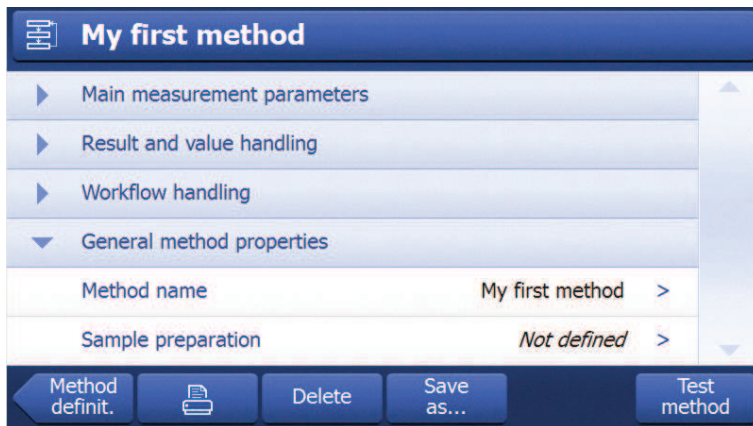
	Name	Explanation
1	Content title	Shows the subject of the current content
2	Content area	Shows the relevant content
3	Arrow icon	[↓] Shows the list in ascending order. [↑] Shows the list in descending order.
4	Scrollbar	[▲] Scroll up
5		Scroller
6		[▼] Scroll down

Further types of lists

Accordion panels are opened or closed by tapping [⤴].



Closable panels are opened or closed by tapping [▶].



6.3 Performing a simple measurement

To check the function of the instrument and to become familiar with the process, METTLER TOLEDO recommends carrying out a simple example measurement, e.g. using a glass fibre filter to measure the moisture content of water. During this first measurement, the instrument works with factory default settings.

- The instrument is connected to the power supply.

– To switch on, press ⏻.

1 Tap **Method Definition**.

➔ **Method Definition** menu appears.

2 To define a new method, tap **New...**

3 To define a new method manually, tap **Define method manually**.

➔ The keypad appears.

4 Enter a name for your first method e.g. **My first method**.

5 Confirm with **OK**.

6 To store your new method with factory settings, tap **Save**.

7 Tap **Home**.

➔ User home screen appears.

Select the method for measuring

1 Tap **Measurement**.

➔ The methods list is displayed.

2 Tap **My first method**.

➔ The work screen of the method **My first method** appears.

3 Open the sample chamber.

Placing the accessories

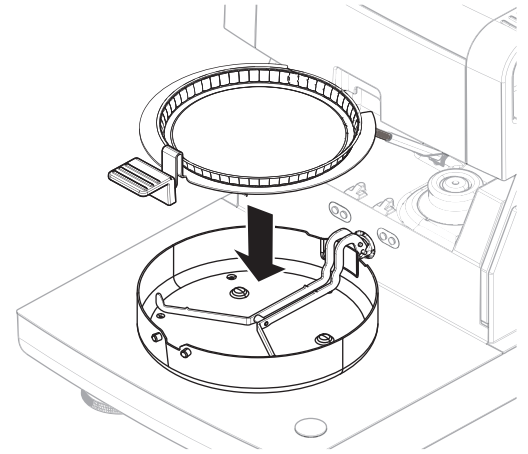
- The display now prompts you to load the predefined accessories and tare the balance.

1 Place the empty accessories in the sample pan handler.

- 2 Place the sample pan handler in the sample chamber. Ensure that the tongue of the pan handler fits exactly in the slot of the draft shield element. The accessories must lie flat in the pan holder.

i Note

METTLER TOLEDO recommends to work with the sample pan handler at all times during a measurement. The pan handler is ergonomic, ensures correct positioning, is safe and provides protection against possible burns due to the hot accessories.



Taring

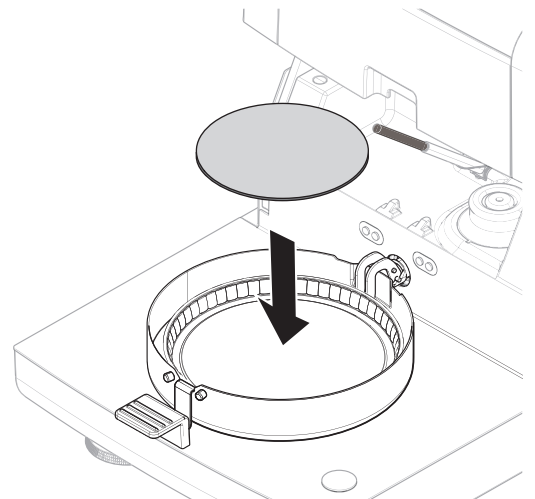
- 1 Close the sample chamber.
 - ➔ The instrument tares the balance (**Starting mode: Automatic**).
- 2 After taring, open the sample chamber.

i Note

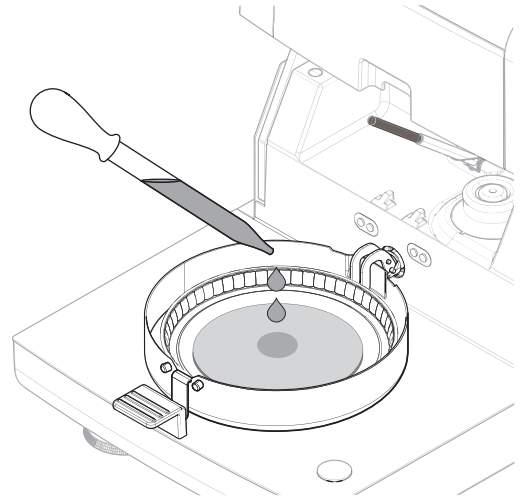
In this example, the glass fiber filter is part of the sample for the sake of simplicity. In routine liquid measurements, the glass fiber filter is not part of the sample and must be tared together with the sample pan.

Start measuring

- 1 Place the specimen sample in the sample pan.
- 2 Wet the specimen sample with a few drops of water.



- 3 Tap on [->0/T<-] to tare.
- 4 Close the sample chamber.
 - ➔ The drying process starts automatically.



Drying process

During the measurement, the display continuously shows the real time results of the drying process in form of a drying curve.

When the drying process is finished, the final measured moisture content of your sample is shown on the display.

If control limits are defined for the method, the status (passed, warned or failed) is shown.



CAUTION

Burns due to hot surfaces

The sample, sample pan and other parts inside the sample chamber may still be hot and can cause injuries if touched.

- 1 Do not touch the housing where it's marked with the warning symbol.
- 2 Only remove the sample pan using the sample pan handler.

Remove Sample

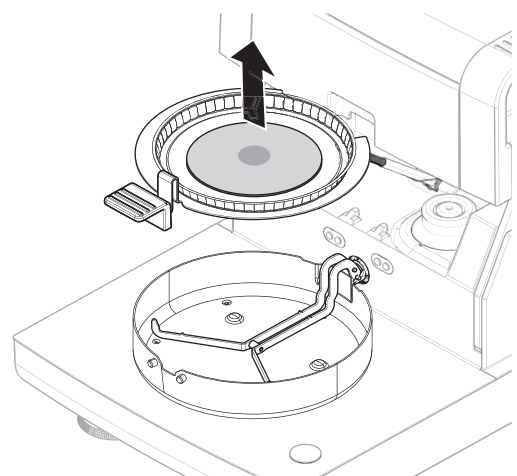
- The drying process is completed.

- 1 Open the sample chamber.
- 2 Carefully remove the sample pan handler from the sample chamber.

i Note


To remove the sample pan from the handler, lift the pan slightly from below and pull it sideways out of the handler.

- 3
 - To perform a further measurement with the current method, tap [**Next Sample**].
 - To perform a measurement with a new method, tap [**Methods**].
 - To return to the home screen, press [**Home**].



Switching off

To completely switch off the instrument, it must be disconnected from the power supply.

By pressing , the instrument is only set to standby.

7 Software Description

7.1 Method definition

Navigation: Home > Method definition

This function offers you to define new methods and to change, delete, export or import existing methods depending on the user rights. It allows you to store up to 100 individual methods.

All parameters used in a drying method can be defined under this menu item.

Resources on methods and method definition:

▶ www.mt.com/moisture-guide

▶ www.mt.com/moisture-methods

7.1.1 Method parameters

7.1.1.1 Main measurement parameters

Navigation: Home > Method Definition > Method name > Main measurement parameters

These parameters are relevant for measuring and must be determined for all samples.

The following parameters can be defined:

Menu item	Explanation	Further Information
Drying program	Defines the drying program which is best suited for the specific sample. (including temperature and switch-off criteria)	see Setting the Drying Program
Display mode	Defines the unit for displaying and printing.	see [Display mode ▶ Page 38]
Start weight	Defines a start weight so that the samples always have approximately the same weight .	see [Start weight ▶ Page 41]

7.1.1.1.1 Drying program

Navigation: Home > Method Definition > Method name > Main measurement parameters > Drying program

This function offers various pre-defined drying programs for optimal adaptation of the drying properties to the sample used. In addition, the drying temperature and the switch-off criterion can be set.

You can define the following parameters:

Parameter	Description	Values
Drying program	Defines the dynamics with which the drying temperature is reached.	Standard* Rapid Gentle

* Factory setting

Further information:

- **Standard** drying **see** [Standard drying ▶ Page 33]
- **Rapid** drying **see** [Rapid drying ▶ Page 33]
- **Gentle** drying **see** [Gentle drying ▶ Page 34]

See also

🔗 Test measurement ▶ Page 50

Types of drying programs

You can define the following parameters:

Standard drying



Standard drying

This drying program is set in the factory and is suitable for most samples. The sample is heated to the drying temperature with default dynamics.

Factory setting

Drying temperature = 105 °C, **Switch-off criterion 3** = 1 mg / 50 s

The following parameters can be defined:

Parameter	Description	Values
Drying temperature	Defines the drying temperature.	40...230 °C (105 °C *)
Switch-off criterion	Defines the criterion when the instrument should end the drying.	1 (1 mg / 10 s) 2 (1 mg / 20 s) 3 (1 mg / 50 s)* 4 (1 mg / 90 s) 5 (1 mg / 140 s) Timed... Free (mg / s)... Free (% / s)...
SOC delay	Activates and defines the delay for the starting time of the switch-off criterion. OFF = no delay applied.	OFF* ON 0...99 min

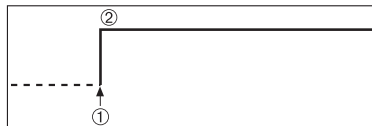
Setting the drying temperature

Navigation: Method Definition > Name of method > Main measurement parameters > Drying temperature

In this menu item you can set the final drying temperature.

Note

The admissible input range for the drying temperature is indicated.

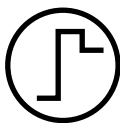


- 1 Start of drying
- 2 Final temperature

Setting switch-off criterion

see Settings of Switch-off Criterion (SOC)

Rapid drying



Rapid drying

This drying program is primarily suitable **for samples with a moisture content over 30%**. Following the start, the selected temperature is exceeded by 40% for 3 minutes (the maximum heating temperature is 230 °C) to compensate for the cooling due to vaporization and to accelerate the drying process. The drying temperature is then lowered to the set value and maintained.

Factory setting

Drying temperature = 105 °C, **Switch-off criterion 3** = 1 mg / 50 s

The following parameters can be defined:

Parameter	Description	Values
Drying temperature	Defines the drying temperature.	40...230 °C (105 °C *)
Switch-off criterion	Defines the criterion when the instrument should end the drying.	1 (1 mg / 10 s) 2 (1 mg / 20 s) 3 (1 mg / 50 s)* 4 (1 mg / 90 s) 5 (1 mg / 140 s) Timed... Free (mg / s)... Free (% / s)...

* Factory setting

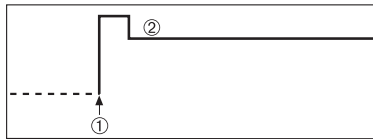
Setting the drying temperature

Navigation: Method Definition > Name of method > Main measurement parameters > Drying temperature

In this menu item you can set the final drying temperature.

Note

The admissible input range for the drying temperature is indicated.



- 1 Start of drying
- 2 Final temperature

Setting switch-off criterion

see Settings of Switch-off Criterion (SOC)

Gentle drying



Gentle drying

This drying program is suitable for the gentle drying of **substances which tend to form a skin** (e.g. substances containing sugar) or **substances that contain highly volatile components**. With this program the temperature is continuously increased and attains the selected drying temperature **only after the elapse** of the so-called ramp time. The «ramp», i.e. the time that should elapse between the start of drying and attainment of the final temperature can be pre-set.

Factory setting

Drying temperature = 105 °C, **Ramp time** = 3:00 min,

Switch-off criterion 3 = 1 mg / 50 s

The following parameters can be defined:

Parameter	Description	Values
Drying temperature	Defines the drying temperature.	40...230 °C (105 °C *)
Ramp time	Defines the time in minutes that should elapse between the start of drying and attainment of the final temperature for Gentle drying.	0...480 min

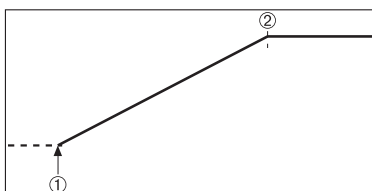
Switch-off criterion	Defines the criterion when the instrument should end the drying.	1 (1 mg / 10 s) 2 (1 mg / 20 s) 3 (1 mg / 50 s)* 4 (1 mg / 90 s) 5 (1 mg / 140 s) Timed... Free (mg / s)... Free (% / s)...
----------------------	--	--

* Factory setting

Setting the drying temperature

Navigation: Method Definition > Method name > Main measurement parameters > Drying program > Gentle > Drying temperature

In this menu item you can set the drying temperature.

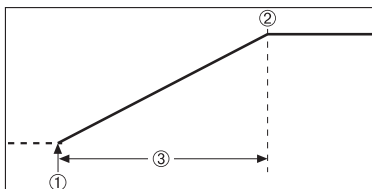


- 1 Start of drying
- 2 Final temperature

Setting the ramp time

Navigation: Method Definition > Method name > Main measurement parameters > Drying programGentle > Ramp time

In this menu item you can define the **Ramp time**, i.e. the time that should elapse between the start of drying and attainment of the final temperature. The ramp is started once the temperature reaches 50 °C.



- 1 Start of drying
- 2 Final temperature
- 3 **Ramp time**

Setting switch-off criterion

see Settings of Switch-off Criterion (SOC)

Switch-off criterion (SOC)

Navigation: Home > Method Definition > Method name > Main measurement parameters > Drying program > Switch-off criterion

This function offers you different switch-off criteria. A switch-off criterion defines when the instrument should end the drying. Switch-off criteria (except for timed switch-off) ensure that measurements are finished in the same condition (weight loss per unit of time) every time, ensuring repeatable measurements.

Note

Repeatable results require same start weights, **see** [Start weight ▶ Page 41].

The following parameters can be defined:

Parameter	Description	Values
Switch-off criterion	Defines the criterion when the instrument should end the drying.	1 (1 mg / 10 s) 2 (1 mg / 20 s) 3 (1 mg / 50 s)* 4 (1 mg / 90 s) 5 (1 mg / 140 s) Timed... Free (mg / s)... Free (% / s)...

* Factory setting

- Weight loss per unit of time (5 preprogrammed settings)
- Free switch-off criterion (2 different settings)
- Timed switch-off

Weight loss per unit of time

The switch-off defines in which drying condition, the measurement is completed. This switch-off is based on a weight loss per unit of time. As soon as the mean weight loss is less than the preset value during a specified time, the instrument considers drying as complete and automatically discontinues the measurement process.

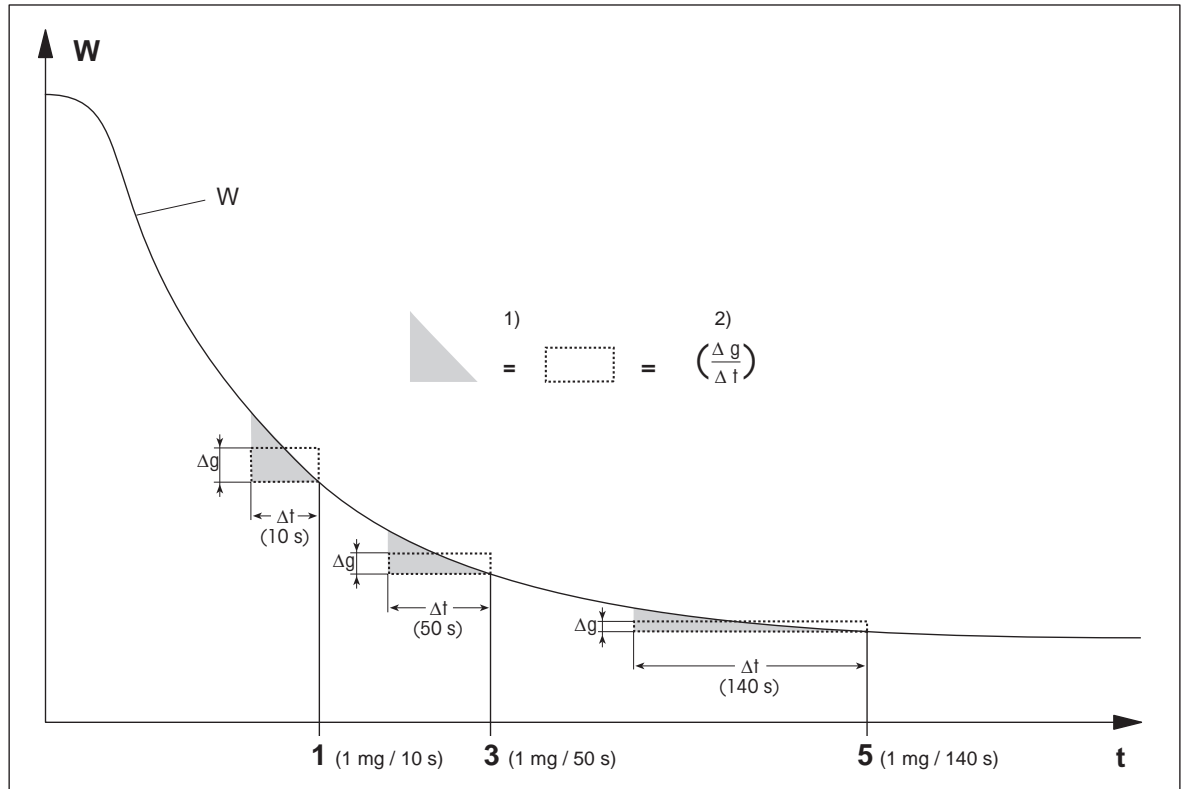
Note

The switch-off criterion is inactive during the first 30 sec.

The following 5 preprogrammed settings are available

Switch-off criterion	Δg	Δt	Description
1	1 mg	10 s	This setting is suitable for fast measurements to determine a trend.
2	1 mg	20 s	This setting is suitable for quick drying samples.
3	1 mg	50 s	This is the factory setting . It is suitable for most kind of samples.
4	1 mg	90 s	This setting is suitable for samples which dry moderately quickly or for samples with higher accuracy requirements.
5	1 mg	140 s	This setting is suitable for samples which dry very slowly (trapped moisture, skin formation) or for samples with very low moisture content e.g. plastics. Not suitable for very temperature sensitive samples.

The graph below exemplifies the mode of operation of the switch-off operation (not to scale).



- | | |
|---|--|
| t = time | 1) = equal area |
| W = weight of sample | 2) = mean weight loss per unit of time |
| 1, 3, 5 = switch-off criteria shown as an example | |

Free switch-off criterion

The free switch-off criterion is based on a user-defined mean weight loss per unit of time.

The following 2 settings are available:

- **Switch-off criterion > Free (mg / s)...** (weight loss per unit of time)
- **Switch-off criterion > Free (% / s)...** (weight loss in percent of the start weight per unit of time)

Timed switch-off

With this switch-off criterion the measurement lasts until the pre-set drying time has elapsed. The display provides you with continuous information in the drying time.

Performing test measurements

For performing test measurements to determine a correct switch-off criterion, **see** [Test measurement ▶ Page 50].

SOC delay

Navigation: Home > Method Definition > Method name > Main measurement parameters > Drying program (Standard) > SOC delay

SOC delay is only available for the **Standard** drying program.

With this function you can delay the starting time of the switch-off criterion. This can be useful for samples with low moisture content which need extended time until they evaporate moisture e.g. plastics.

The following parameters can be defined:

Parameter	Description	Values
SOC delay	Activates and defines the delay for the starting time of the switch-off criterion. OFF = no delay applied.	OFF* ON 0...99 min

* Factory setting

7.1.1.1.2 Display mode

Navigation: Home > Method Definition > Method name > Main measurement parameters > Display mode

With this function you can select the desired type of result display. You also define what type of values are printed on the records.

The following parameters can be defined:

Parameter	Description	Values
Display mode	Defines the type of value for displaying and printing.	%MC* %DC %AM %AD g g/kg MC g/kg DC -%MC

* Factory setting

- **%MC** – Moisture Content (calculated value)
- **%DC** – Dry Content (calculated value)
- **%AM** – ATRO Moisture Content (calculated value)
- **%AD** – ATRO Dry Content (Wet weight, calculated value)
- **g** – Measured value in Grams
- **g/kg MC** – Moisture Content (calculated value)
- **g/kg DC** – Dry Content (calculated value)
- **-%MC** – Moisture Content (negative value, calculated value)

Note

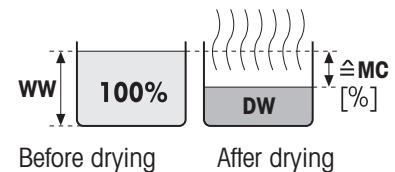
Calculated values are indicated with an asterisk in the display.

Detailed information:

%MC – Moisture Content

The moisture content of the sample is displayed (and printed out) as a percentage of the wet weight (WW = initial weight = 100%). This is the **factory setting**.

During the measurement the value is constantly displayed in percent and as a graphical drying curve. The measured value is marked by "%MC" (Moisture Content, e.g. 11.35 %MC) also for the printed results.



$$MC = \frac{WW - DW}{WW} \cdot 100 \%$$

MC = Moisture Content [0...100%]

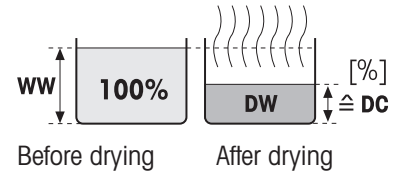
WW = wet weight

DW = dry weight

%DC – Dry Content

The dry content of the sample is displayed (and printed out) as a percentage of the wet weight (WW = initial weight = 100%).

During the measurement the value is constantly displayed in percent and as a graphical drying curve. The measured value is marked by "%DC" (Dry Content, e.g. 88.65 %DC) also for the printed results.



$$DC = \frac{DW}{WW} \cdot 100 \%$$

DC = dry content [100...0%]

WW = wet weight

DW = dry weight

%AM – ATRO Moisture Content ¹⁾

The moisture content of the sample is displayed (and printed out) as a percentage of the dry weight (DW = final weight = 100%)

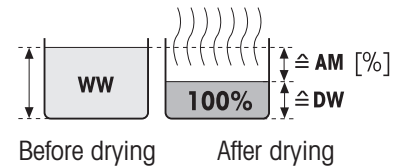
During the measurement the value is constantly displayed in percent and as a graphical drying curve. The measured value is marked by "%AM" (ATRO Moisture Content, e.g. 255.33 %AM) also for the printed results.

$$AM = \frac{WW - DW}{DW} \cdot 100 \%$$

AM = ATRO moisture content [0...1000%]

WW = wet weight

DW = dry weight



%AD – ATRO Dry Content (Wet weight)¹⁾

The wet weight of the sample is displayed (and printed out) as a percentage of the dry weight (DW = final weight = 100%)

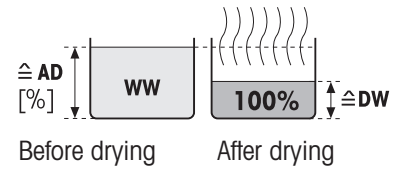
During the measurement the value is constantly displayed in percent and as a graphical drying curve. The measured value is marked by "%AD" (ATRO Dry Content, e.g. 312.56 %AD) also for the printed results..

$$AD = \frac{WW}{DW} \cdot 100 \%$$

AD = ATRO dry content [100...1000%]

WW = wet weight

DW = dry weight



¹⁾ Comment on the ATRO display mode

If the current measured value in the ATRO display mode is greater or less than the predefined limit value (i.e. greater than 999.99 %AD or less than -999.99 %AM), the ATRO result values are limited to 999.99%.

g – Weight in Grams

The weight of the sample is displayed (and printed out) in grams. With this setting, the moisture analyzer is used as a precision balance.

During the measurement the current weight is constantly displayed in grams.

g/kg MC – Moisture Content

The moisture content of the sample is displayed (and printed out) in g/kg of the wet weight (WW = initial weight = 1000 g/kg).

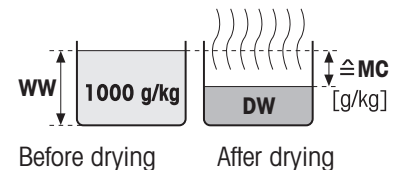
During the measurement the current measured value is constantly displayed in percent and as a graphical drying curve. The measured value is marked by "g/kg MC" (Moisture Content, e.g. 11.35 g/kg MC) also for the printed results.

$$MC = \frac{WW - DW}{WW} \cdot 1000 \text{ g/kg}$$

MC = Moisture Content [0...1000 g/kg]

WW = wet weight

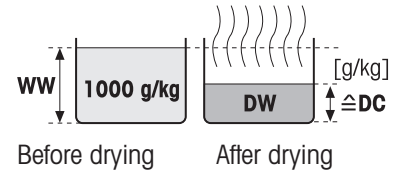
DW = dry weight



g/kg DC – Dry Content

The dry content of the sample is displayed (and printed out) in g/kg of the wet weight (WW = initial weight = 1000 g/kg).

During the measurement the current measured value is constantly displayed in percent and as a graphical drying curve. The measured value is marked by "g/kg DC" (Dry Content, e.g. 88.65 g/kg DC) also for the printed results.



$$DC = \frac{DW}{WW} \cdot 1000 \text{ g/kg}$$

DC = dry content [1000...0 g/kg]

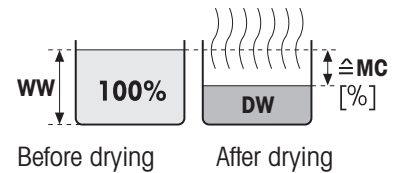
WW = wet weight

DW = dry weight

-%MC – Moisture Content

The moisture content of the sample is displayed (and printed out) as a percentage of the wet weight (WW = initial weight = 100%).

During the measurement the value is constantly displayed in percent and as a graphical drying curve. The measured value is marked by "-%MC" (Moisture Content, e.g. -11.35 -%MC) also for the printed results and shown as a negative value.



$$MC = - \frac{WW - DW}{WW} \cdot 100 \%$$

MC = Moisture Content [0...100%]

WW = wet weight

DW = dry weight

7.1.1.1.3 Start weight

Navigation: Home > Method Definition > Method name > Main measurement parameters > Start weight

The start weight affects the duration as well as the end result of a measurement for a number of reasons. Defining a starting weight ensures that approximately the same amount of sample is used for each measurement, which improves the repeatability of the measurements.

The weighing-in aid assists you in weighing-in the sample. For most of the samples the target weight is in the range of 2–5 g (plastics 30 g). We recommend to cover the whole surface of the sample pan with a thin uniform layer of sample.

The following parameters can be defined:

Parameter	Description	Values
Start weight	Defines a start weight so that the samples always have approximately the same weight .	OFF* ON (0.100...200.000 g)
Start weight tolerance	Defines the tolerance of the Start weight . 10 %, recommended for sample weights up to 5 g.	1...25 % (10 %)*
Weigh-in aid	Defines monitoring of target weight and tolerance. Passive = tolerance is displayed. Active = tolerance is monitored. If the startweight is out of tolerance, the measurement cannot be started.	Passive* Active

* Factory setting

7.1.1.2 Result and value handling

Navigation: Home > Method Definition > Method name > Result and value handling

The following parameters can be defined:

Menu item	Explanation	Further Information
Control limits	Defines the acceptable range for measuring results in the unit of the selected display mode.	see [Control limits ▶ Page 42]
QuickPredict	Activates the QuickPredict function for a method and defines the specifics for its use.	see [QuickPredict ▶ Page 43]

7.1.1.2.1 Control limits

Navigation: Home > Method Definition > Method name > Result and value handling > Control limits

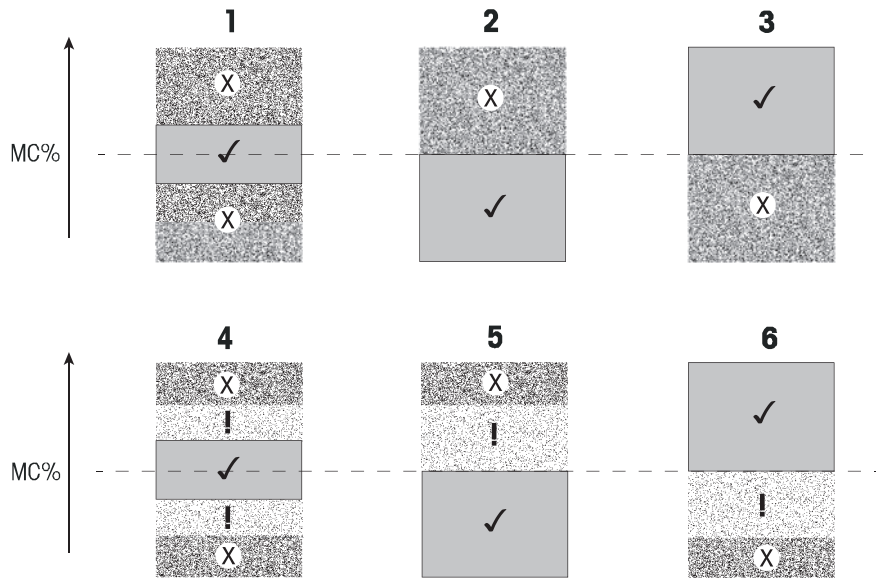
With this function you can set warning and intervention limits for the quality and process monitoring. You can also set limits for distinguish passed or failed.

The following parameters can be defined:

Parameter	Description	Values
Control limits	Defines the acceptable range for the measuring results in the unit of the selected display mode. OFF = no limits applied.	OFF* ON (0.00...100.00)
T1+ (Upper warning limit)	Defines the upper warning limit in the selected unit of the display mode. Measurement passed with warning (!) if above limit. Value range in ATRO mode (%AD, %AM) up to 1000.	OFF* 0.01...100.0 (1000)
T1- (Lower warning limit)	Defines the lower warning limit in the unit of the selected display mode. Measurement passed with warning (!) if below limit. Value range in ATRO mode (%AD, %AM) up to 1000.	OFF* 0.01...100.0 (1000)
T2+ (Upper intervention limit)	Defines the upper intervention limit in the unit of the selected display mode. Measurement failed (X) if above limit. Value range in ATRO mode (%AD, %AM) up to 1000.	OFF* 0.01...100.0 (1000)
T2- (Lower intervention limit)	Defines the lower intervention limit in the unit of the selected display mode. Measurement failed (X) if below limit. Value range in ATRO mode (%AD, %AM) up to 1000.	OFF* 0.01...100.0 (1000)

* Factory setting

Setting the limits



Limits		1	2	3	4	5	6
T2+ (Upper intervention limit)	(X)			Off			Off
T1+ (Upper warning limit)	(!)	Off	Off	Off			Off
T1- (Lower warning limit)	(!)	Off	Off	Off		Off	
T2- (Lower intervention limit)	(X)		Off			Off	

(✓) Measurement is within the warning limits: passed (displayed in green)

(!) Measurement is between the warning limits and the intervention limits: passed with warning (displayed in yellow)

(X) Measurement is outside the intervention limit: failed (displayed in red)

Control limits is off = no limits applied (displayed in blue)

Testing the limits

See [Test measurement ▶ Page 50].

7.1.1.2.2 QuickPredict

Navigation: Home > Method Definition > Method name > Result and value handling > QuickPredict

The QuickPredict function predicts the result of a measurement shortly after its start, e.g. after two minutes. Find more information on the optimum use of QuickPredict in chapter [Preparing a method for QuickPredict ▶ Page 52].

The following parameters can be defined:

Parameter	Description	Values
QuickPredict	Activates or deactivates QuickPredict for a method.	OFF* ON
QuickPredict usage	Activates and deactivates QuickPredict for routine measurements (only possible if the prediction knowledge is established).	Inactive* Active

Reference Curves	Lists the reference curves for this method.	any
------------------	---	-----

Measurement settings

Parameter	Description	Values
Allow saving of prediction	Activates the Save and Continue button in the prediction screen.	<input type="checkbox"/> (deactivated)* <input checked="" type="checkbox"/> (activated)
Threshold to allow saving	Activates and defines the threshold for the Save and Continue function in the selected display mode.	OFF* ON 0.00 ... 100.00
Allow stopping of measurement	Activates the Save and Stop button in the prediction screen.	<input type="checkbox"/> (deactivated)* <input checked="" type="checkbox"/> (activated)
Threshold to allow stopping	Activates and defines the threshold for the Save and Stop function in the selected display mode.	OFF* ON 0.00 ... 100.00

* Factory setting

7.1.1.3 Workflow handling

Navigation: Home > Method Definition > Method name > Workflow handling

With this functions you can define the workflow for the measurement

You can define the following parameters:

Menu item	Explanation	Further Information
Starting mode	Defines how the sample chamber is operated.	see [Starting mode ▶ Page 45]

7.1.1.3.1 Starting mode

Navigation: Home > Method Definition > Method name > Workflow handling > Starting mode

In this menu you can choose whether the sample chamber performs automatic or manual functions.

The following parameters can be defined:

Parameter	Description	Values
Starting mode	Defines how the sample chamber is operated.	Automatic* Manual

* Factory setting

Automatic

Your instrument is set in the factory to the automatic operating mode. This mode can be used for most kind of samples. When closing the sample chamber, the weight of the sample is recorded and the measurement is started.

Manual

We advise you to use the manual operating mode for samples which contain readily volatile substances. In the manual operating mode, the process does not automatically start when the [Start drying] button is tapped. However, the initial weight (wet weight) important for the determination of the moisture content is recorded. In the manual operating mode you have time for further preparation of the sample (e.g. mixing with quartz sand or even distribution of the sample) while weight losses due to evaporation during the preparation time are measured from the outset. In the manual operating mode you can open the sample chamber during a drying operation e.g. in standby mode. In contrast to the automatic mode, drying will not be stopped but simply interrupted until the sample chamber is closed again.

7.1.1.3.2 Accessories

Navigation: Home > Method Definition > Method name > Workflow handling > Accessories

For a method, certain accessories can be specified that must be used for the measurements. During the measurement, these accessories are then requested on the work screen.

The following parameters can be defined:

Parameter	Description	Values
Accessories	Defines the main accessory (pan) in which the sample is prepared.	Sample pan* HA-Cage
Additional accessories (only available if the sample pan is the main accessory: <ul style="list-style-type: none">• Glass fibre filter• Second glass fibre filter• Downholder	Defines additional accessories to be used with the sample pan.	<input type="checkbox"/> (deactivated)* <input checked="" type="checkbox"/> (activated)

* Factory setting

7.1.1.4 General method properties

Navigation: Home > Method Definition > Method name > General method properties

7.1.1.4.1 Method name

Navigation: Home > Method Definition > Method name > General method properties > Method name

The following parameters can be defined:

Parameter	Description	Values
Method name	Renaming a method. Name should be unique and unambiguous.	any

7.1.1.4.2 Sample preparation

Navigation: Home > Method Definition > Method name > General method properties > Sample preparation

If a method is created with the method wizard (**see** [Creating a method with the Method Wizard ▶ Page 46]), the wizard automatically fills the **Sample preparation** field with the recommended preparation steps. The recommended preparation can be edited by tapping **Sample preparation**, but the number of characters in the text is limited to 100.

The sample preparation recommendation is not visible in the workflow during routine measurements.

The following parameters can be defined:

Parameter	Description	Values
Sample preparation	Specifies the sample preparation for a method recommended by the Method Wizard.	any

7.1.2 Creating a method

Prerequisite

The parameter menu appears only if a method already exists and is selected in the method definition dialog or if a new method has been created.

Main menu	Submenu	Further information
Main measurement parameters	Drying program (including temperature and switch-off criteria)	see Settings of Drying Program
	Display mode	see [Display mode ▶ Page 38]
	Start weight	see [Start weight ▶ Page 41]
Result and value handling	Control limits	see Control limits
	Resolution	see Resolution
	Free factor	see Free Factor
	QuickPredict	see [QuickPredict ▶ Page 43]
Workflow handling	Starting mode	see Starting Mode
	Accessories	see [Accessories ▶ Page 45]
General method properties	Method name	see [Method name ▶ Page 46]
	Sample preparation	see [Sample preparation ▶ Page 46]

7.1.2.1 Creating a method with the Method Wizard

Introduction

The Method Wizard is a feature that offers assistance in developing a suitable moisture method for specific samples. Based on the characteristics of your sample as well as a test of the drying temperature and switch-off criterion, the Method Wizard is able to formulate a suitable method for your sample.

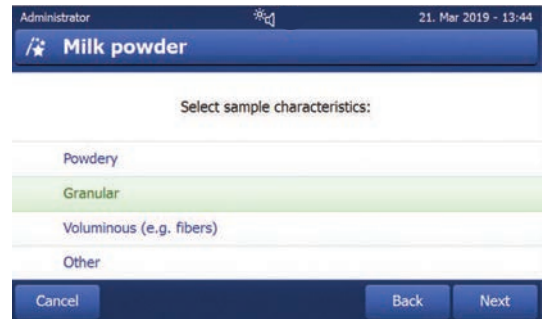
The Method Wizard guides you through the development of your moisture method in three simple steps:

1. **Questionnaire**: proposal of method parameters based on sample characteristics.
2. **Temperature assistant**: determination of drying temperature.
3. **Test measurement**: verification of temperature and selection of appropriate switch-off criterion

After each step of the Method Wizard you can decide whether to accept the current method settings or to complete another step of the wizard. For steps 2 and 3, a reference moisture content value is needed.

Creating a new method with the Method Wizard

- Reference value (for Steps 2 and 3) is available.
 - **Method definition** is selected.
- 1 Tap **[New...]**.
 - 2 Tap **Define using Method Wizard**.
 - ➔ The Method Wizard disclaimer text appears.
 - 3 Read the disclaimer text and confirm by tapping **[Next]**.
 - ➔ The keypad appears.
 - 4 Enter a name for the new method. The name should be unique and unambiguous. 1 to 30 characters are possible (including spaces).
 - 5 Confirm with **[OK]**.
 - ➔ A short introduction appears.
 - 6 Read the instruction and tap **Next**.
 - ➔ The **Method Wizard** starts.
 - 7 **Step 1 (Questionnaire)**: Follow through the questions by tapping the answers and then tapping **[Next]**.
 - ➔ After all questions are answered, you are proposed a method and asked if you want to adopt this method or continue with the next step.
 - 8
 - To continue, tap **Continue with temperature assistant (recommended)**.
 - To leave the wizard, tap **Accept method parameters and exit wizard**.
 - 9 Confirm by tapping **[Next]**.
 - 10 **Step 2 (Temperature assistant)**: Follow the instructions of the wizard to determine a suitable drying temperature. For questions about the temperature assistant, **see** [Temperature assistant ▶ Page 49]. This step may require several iterations.
 - ➔ After successful testing, you are proposed a drying temperature and asked if you want to complete the next step or adopt the current method.
 - 11
 - To continue, tap **Continue with test measurement (recommended)**.
 - To exit the wizard, tap **Accept method parameters and exit wizard**.
 - 12 Tap **[Next]**.
 - 13 **Step 3 (Test measurement)**: Follow the instructions of the wizard to select an appropriate switch-off criterion. For questions about the test measurement, **see** [Test measurement ▶ Page 50].
 - ➔ After successful testing, you are recommended a switch-off criterion and are asked if you want to adopt it or perform another test.
 - 14
 - To adopt the method, tap the desired switch-off criterion.
 - To reject the proposed switch-off criterion and perform another test at a different drying temperature, tap **Start over again using a different drying temperature**.
 - 15 Confirm by tapping **[Next]**.
 - 16 To store the method, tap **[Finish]**.
 - ➔ The method settings appear. The new parameters are already filled in.



17 **NOTICE: Data loss:** To definitively store your method settings, tap [**Save**] before you exit the method settings. Otherwise all data is lost.

7.1.2.2 Creating a method manually

- **Method definition** is selected.
- 1 Tap [**New...**].
- 2 Tap **Define method manually**.
 - ➔ The keypad appears.
- 3 Enter a name for the new method. The name should be unique (a method name can only exist once) and unambiguous. 1 to 30 characters are possible (including spaces).
- 4 Confirm with [**OK**].
 - ➔ The parameter menu for the new method appears.
- 5 Set the desired parameters e.g. **Main measurement parameters**.
- 6 To store the method, tap [**Save**].

7.1.2.3 Creating a method by consulting the method library

The online METTLER TOLEDO moisture method library offers a wide range of tested and validated methods for different industries and substances. Optimize your moisture analysis with the help of our moisture expertise and profit from a wealth of know-how and widespread support.

Find the moisture library under:

▶ www.mt.com/moisture-methods

Downloading a method from the method library

- PC with internet connection is available.
- Storage device (e.g. USB storage device) with at least 500 MB memory space is available.
- 1 Open the method library (see above) on your PC.
- 2 Click **Moisture Applications**.
- 3 Fill out the form according to the instructions to find a moisture method for your sample.
- 4 Click the method you wish to download.
 - ➔ The access form opens.
- 5 Fill out the form and click **Download** to download the method file.
- 6 Transfer the file onto your storage device.

Importing the method to the instrument

- **Method Definition** is opened.
- 1 Connect your storage device to the instrument.
- 2 Tap [**Import**].
 - ➔ **Import methods** screen opens.
- 3 Tap [**Import from file**].
 - ➔ The list of connected hard drives opens.
- 4 Tap the device and location where your method file is stored and select your file.
- 5 Confirm by tapping **Import**.
- ➔ Your new method is imported and is now ready for routine measurements in the method list.

7.1.3 Editing a method

Editing an existing method

- **Method definition** is selected.
- 1 Tap the method in the list you want to edit.

- ➔ The parameter menu for the selected method appears.
- 2 Edit the desired parameters e.g. **Main measurement parameters**.
- 3 To store the method, tap [**Save**].

Copying an existing method

- **Method definition** is selected.
- 1 Tap the method in the list you want to copy.
 - ➔ The parameter menu of the desired method appears.
- 2 Tap [**Save as...**].
 - ➔ The keypad appears.
- 3 Enter a new name for the copied method. The name should be unique and unambiguous. 1 to 30 characters are possible.
- 4 To store the method, tap [**Save**].


Removing an existing method

Note

All results of this method (incl. results of previous versions) as well as corresponding shortcuts are also removed.

- **Method definition** is selected.
- 1 Tap the method in the list you want to remove.
 - ➔ The parameter menu of the desired method appears.
- 2 Tap [**Delete**].
 - ➔ A message box appears.
- 3 Confirm with [**Delete**].
 - ➔ The desired method is removed.

See also

 Working with shortcuts ▶ Page 61

7.1.4 Testing a method

Navigation: Home > Method Definition > Method name > Test method

By testing a method before its application, its efficiency and the duration of a measurement can be optimised. Both the temperature and the switch-off criterion can be adjusted to an ideal setting for the sample with a test, shortening the test duration and increasing the reliability of the measurement at the same time.

Testing of a method is possible at any time after the method has been created.

7.1.4.1 Temperature assistant

Introduction

The temperature assistant is a test function that determines a suitable drying temperature for a specific sample by drying the test sample while comparing the measured moisture content to a reference value. Based on this procedure, the temperature assistant is able to specify a suitable temperature at the end of the test.

Testing procedure

- A reference value for the test sample is available.
- **Test method** is opened.
- 1 Tap **Temperature assistant** and confirm with **Next**.
- 2 Enter the reference value and confirm with **Next**.
 - ➔ A warning text appears, indicating the highest temperature possible in this test and asking if this peak temperature is still acceptable for the sample or poses a danger.

- 3
 - If the peak test temperature poses no danger to the sample, select **Accept maximum drying temperature of x1°C [Value]** and confirm with **Next**.
 - If the peak test temperature poses a possible danger to the sample, select **Enter another maximum drying temperature**, enter the new drying temperature and tap **[OK]**.
 - ➔ The work screen appears.
- 4 Follow the instructions on the screen and carry out the test measurement like a normal measurement, **see Performing a measurement**.
 - ➔ Once the procedure is finished, the instrument shows the result of the test:
 - If the test was successful, the instrument proposes a suitable drying temperature. If this temperature differs from the one previously defined, the instrument changes this parameter automatically in the method (but does not yet save it).
 - If the test fails (e.g. if the final moisture content was higher than the reference value), the instrument proposes to reiterate the test (begin from step 1).

Saving or rejecting the proposed drying temperature

- 1 Below the screen showing the new proposed drying temperature, tap **Next**.
 - ➔ The method parameter screen appears. In the **Main measurement parameters**, the new temperature is already entered.
- 2 To accept the new temperature, tap **Save**.
To reject the new temperature, tap **Drying temperature**, enter your desired temperature and confirm with **OK** or press **Cancel** to discard all changes.

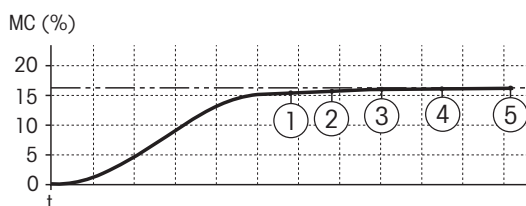
i Note

The results of a temperature assistant test cannot be printed.

7.1.4.2 Test measurement

Introduction

A test measurement helps to define the best switch-off criterion (SOC) for a specific sample. In a test measurement, the instrument records the points in the drying curve at which the different switch-off points (1 to 5 and, if available, customary SOC) have been reached. The measurement terminates after all SOC have been reached (default setting) or after a custom set time period. After the test is finished, the user can evaluate the drying curve to decide which criterion suits the method best.



The diagram illustrates the progress of a measurement. The points at which the individual switch-off criteria were reached (1-5) are marked. If measurement duration has priority in future measurements, SOC 2 can be selected for the method. However, if precision and reliability of results are more important, SOC 3 or SOC 4 are the more appropriate choice.

By comparing the measured values with values of a reference method, e.g., drying oven and the standard deviation, you can define the appropriate parameter settings. For more information see the application brochure «Guide to Moisture Analysis».

For more information about switch-off criteria, **see** Settings of Switch-off Criterion (SOC).

Testing procedure

- **Test method** is opened.
- 1 Tap **Test measurement**.
 - ➔ The test work screen appears.
 - 2 If you wish for the test to stop after a certain time period, tap **Test time** and activate and set the test time.

- 3 Follow the instructions on the screen and carry out the test measurement like a normal measurement, **see** Performing a measurement.
- ➔ After the test, the instrument shows the results in the method journal.

Result view



In the graphical visualization of the test process, the details about the different SOC (time and % MC at the point of reaching) can be accessed:

- by clicking the points on the drying curve. The details appear below the title bar.
- by navigating with ← and → left and right on the screen. The details appear below the title bar.
- by tapping **More data**. A detailed list about the test details opens.

Test measurements are recorded in the journal of a method and marked as test results.

Adjusting the switch-off criterion

The test measurement does not change the method parameters. To adjust the SOC of a method, the parameters have to be changed manually. Before releasing the method, check if the determined switch-off criterion is set.

Printing results of the determined switch-off criteria

For a printout example, **See** Information on Printouts section «Special events».

Displaying results of the determined switch-off criteria

See Graphical Evaluations of Measurement Results

7.1.4.3 Testing with AutoMet

Introduction

In combination with the test measurement you can use the **AutoMet** function to enter the reference value and the instrument to automatically establish an appropriate switch-off criterion for the defined method. This will be the point at which the measurement most accurately matches the reference value. This is the free switch-off criterion **Free (mg / s)...**. The AutoMet test measurement only proposes the switch-off criterion **Free (mg / s)...** if the drying trend means you can expect a precise moisture determination. The range for the switch-off criterion **Free (mg / s)...** is therefore limited to between 1 mg/20 seconds and 1 mg/140 seconds.

i Note

If the target value is reached but the switch-off criterion is still outside 1 mg/20-140 seconds, you have not selected the optimum temperature. If **Free (mg / s)...** is below 1 mg/20 seconds, reduce the temperature. If **Free (mg / s)...** is above 1 mg/140 seconds, either switch-off criterion 5 will provide a good approximation or it might be a good idea to increase the drying temperature. If the target value is not reached, increasing the drying temperature may obtain the desired result.

i Note

METTLER TOLEDO recommends using the Method Wizard function to find an optimum switch-off criterion instead of the AutoMet function.

AutoMet

- 1 Perform a test measurement with the same sample as for the reference measurement.
- 2 Tap [**AutoMet**].
- 3 Enter Measurement reference in display unit (target value) and tap [**OK**].
 - ➔ **AutoMet** suggests you an appropriate switch-off criterion for the temperature selected or gives further instructions on the display.
- 4 Tap [**Save**] to assume this switch-off criterion into the method.

7.1.5 Preparing a method for QuickPredict

Introduction

The intended use of QuickPredict is to predict the final result of a measurement shortly after its start. To achieve best prediction performance and take into account the different drying characteristics of samples, substance-specific reference data is needed.

QuickPredict works on the basis of the so-called prediction knowledge, which consists of substance specific data and which is stored as part of the method. To establish this prediction knowledge for a particular method, six representative measurements must be made, which form the reference data set and from whose data the prediction knowledge is then calculated.

Key factor for the performance of QuickPredict are the quality of the sample specific data in the prediction knowledge as well as high repeatability of method and sample, which means that not every substance and method is suitable.

The following chapter helps you in determining if your substance is suitable and explains how to set your instrument and chosen method up for the use of QuickPredict.

7.1.5.1 Prerequisites to use QuickPredict for a method

QuickPredict cannot be used for every kind of substance and method. The function performance relies heavily on repeatability and characteristics of the drying curve, which means that certain prerequisites must be met for QuickPredict to function as intended.

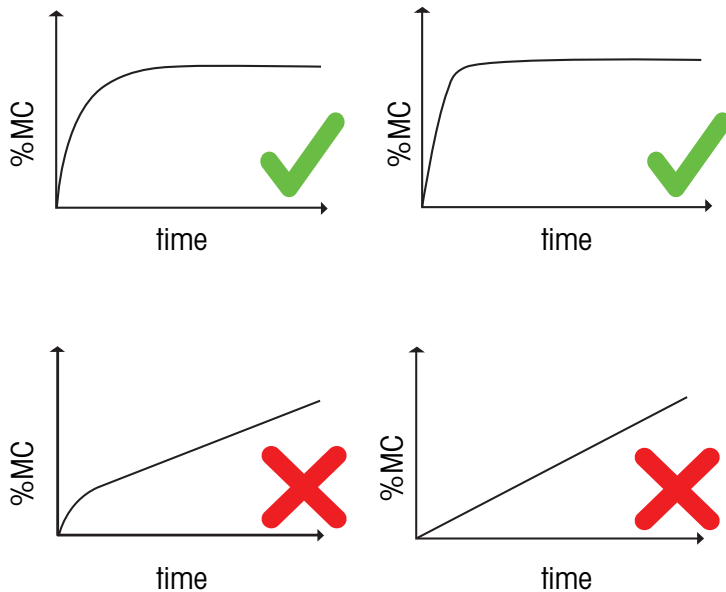
Suitability of purpose (Disclaimer)

The prediction functionality intends to support the customer in getting an estimation on results by using a set of algorithms to predict the end result of a measurement. By using the 'QuickPredict Module' you acknowledge to be fully aware, that any predicted results come with an uncertainty and may not in every case represent the final value. Although METTLER TOLEDO attempts to provide predictions with a certain degree of accuracy, it makes no representation that the predicted result, including the prediction uncertainty, are accurate or suitable for any particular purpose. Your use of the prediction functionality is at your own risk and you must validate the predicted results according to internal guidelines and corresponding validating procedures for making your decisions. [...]

Sample suitability

Substances that are well suited for results prediction are characterized by a drying curve with a characteristic curving during the initial stage of the measurement.

A pronounced curvature of the drying curve during the early stages of the measurement improves prediction precision and reduces prediction uncertainty. During the recording of the reference curves, the instrument automatically analyzes each curve and indicates their suitability for usage with QuickPredict. The majority of samples tested for moisture content fulfill the criteria stated above.



The compatibility of the substance with QuickPredict is verified during the calculation of the prediction knowledge. As such, it is possible to test the suitability of a substance for QuickPredict without a license.

Method suitability

The reference data set for QuickPredict is only created for a specific combination of settings of a method. If these (result influencing) settings are changed, the reference data set for this method is deleted. For this reason, only use QuickPredict for stable and validated methods for which you are sure that they will not need any further changes.

Settings irrelevant for the results, such as names, can still be changed after the reference curves have been recorded.

The suitability of a method is determined when the QuickPredict function is activated for a method.

QuickPredict is only supported for methods with the following settings:

Parameter	Value
Drying program	<ul style="list-style-type: none"> • Standard • Gentle • Rapid
Display mode	<ul style="list-style-type: none"> • % MC • % DC • g • -% MC
Start weight	ON
Weigh-in aid	Active

7.1.5.2 Activating QuickPredict

7.1.5.2.1 License

QuickPredict is not available as a default function on all instruments.

For HX204-models with a serial number higher than S/N B922000000:

QuickPredict is available by default. No license is required.

For all HS153-models as well as HX204-instruments with a serial number lower than S/N B922000000:

- A software-update to V2.30 or higher is required.
- A valid license is required, **see** Accessories

In the instrument info you can see if a license for the instrument is already activated.

Function of the QuickPredict License

Without a valid license, QuickPredict cannot be used in full functionality: The instrument can still record reference curves and calculate the prediction knowledge. This can be useful to determine if a sample substance is suitable for QuickPredict. However, to use QuickPredict in routine measurements, a valid license needs to be ordered.

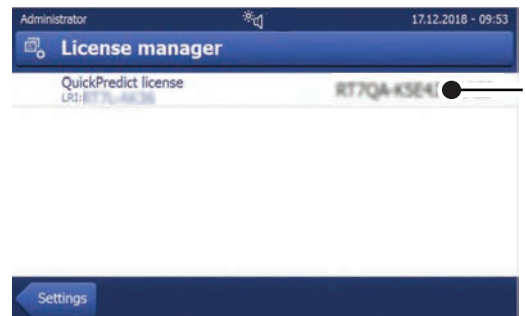
A license is only valid for a specific instrument, not for users or companies.

Activating a QuickPredict License

Activation Portal:

► <https://activation.mt.com>

- No active license is registered in the instrument info.
 - License key has been ordered and received. See Accessories.
- 1 Open the activation portal (see above) on your PC.
 - 2 Create a user profile under **Register**.
 - 3 Once you are signed in on the portal, click **Activation**.
 - ➔ The Activation / Reactivation-page opens.
 - 4 In the **Add License Key**-section, enter your license key in the input field.
 - ➔ Your license key is activated.
 - 5 On your Moisture Analyzer, open **Settings > System and data management > License manager**.
 - 6 Note the License Registration Information (LRI) that is shown under **QuickPredict license (1)**.
 - 7 In the portal, Enter the LRI from the instrument.
 - 8 Generate a Short Activation Code (SAC).
 - 9 On the instrument, tap **QuickPredict license**.
 - ➔ The input field for the SAC appears.
 - 10 Enter the SAC from the portal and confirm by tapping **OK**.
 - ➔ The SAC appears in the **License manager** panel (2).
 - ➔ Your QuickPredict license is now active and Quick-Predict is unlocked on your instrument.



7.1.5.2.2 Activating QuickPredict on the instrument

Enabling QuickPredict

If a license is activated for the instrument, QuickPredict is enabled as default. However, in case of an error or for a re-activation, QuickPredict can be enabled manually with the following steps:

- A valid QuickPredict license is active.
 - **Settings** is opened.
- 1 Tap **Quality management**.

- ➔ The menu options open. QuickPredict is not active.
- 2 Tap **QuickPredict**.
 - ➔ The switch for QuickPredict appears.
- 3 Tap the switch.
 - ➔ A disclaimer text appears.
- 4 Scroll down, check the box for **I accept the terms above** and confirm with **OK**.
 - ➔ The switch turns green and the QuickPredict function is now enabled for the instrument. Note that the function needs to be activated for every method separately.

Disabling QuickPredict

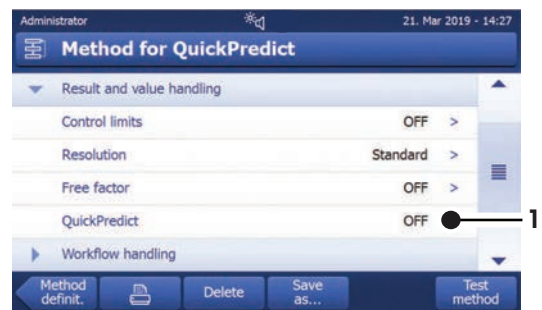
QuickPredict can be manually disabled for a instrument, e.g. if your process does not allow predicted results:

- **Settings** is opened.
- 1 Tap **Quality management**.
 - ➔ The menu options open. QuickPredict is active.
- 2 Tap **QuickPredict**.
 - ➔ The switch for QuickPredict appears.
- 3 Tap the switch.
 - ➔ The switch turns red and the QuickPredict function is now disabled for the instrument. Note that this setting applies to all methods.

7.1.5.2.3 Enable QuickPredict for a method

Before QuickPredict can be used for a specific method, the function must be enabled in the method settings.

- **Method Definition** is opened.
- 1 Select the method for which you want to set up QuickPredict.
 - ➔ The method settings open.
- 2 Tap **Result and value handling**.
- 3 Tap **QuickPredict (1)**.
 - ➔ The QuickPredict settings for the method appear.
- 4 Tap the switch in the upper left corner (2).



- ➔ A disclaimer text appears.
- 5 Scroll down, check the box for **I accept the terms above** and confirm with **OK**.
 - ➔ If any current settings are incompatible with QuickPredict, the corresponding settings are listed on the screen. QuickPredict cannot be activated unless these settings correspond to QuickPredict requirements.



- ➔ The switch turns green and the QuickPredict function is now active for this method.
- ➔ To use QuickPredict in routine measurements, the prediction knowledge must be established and **QuickPredict usage** must be set to **Active**. See [Establishing the prediction knowledge ▶ Page 56]

7.1.5.3 Establishing the prediction knowledge

QuickPredict requires six measurements for the reference data set. To intercept environmental influences, three measurements are started with a cold instrument, and three measurements are performed with a warmed-up instrument. Thus, the prediction knowledge covers a wider range of values.

There are two ways to create the reference data set:

- Creating the reference data set with help from the QuickPredict Wizard.
- Creating the reference data set independently in expert mode (recommended only for experienced QuickPredict users).

7.1.5.3.1 Process schedule

The reference curves are divided into two groups:

- ❄️ Cold starts: Measurements/drying curves recorded with a cold instrument.
- ☀️ Warm starts: Measurements/drying curves recorded with a warmed-up instrument.

During the process, the instrument needs to be warmed up or cooled down accordingly, for several times. Any heating up or cooling down times are indicated on the screen with a timer.

In QuickPredict Wizard: The wizard makes sure that the system is cold or hot before the reference curve is recorded.

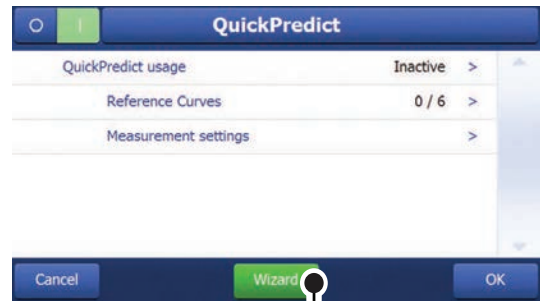
In expert mode: The user can decide on the schedule of the process but must ensure that the precondition of a hot or cold instrument is fulfilled.

7.1.5.3.2 QuickPredict Wizard

The QuickPredict Wizard is the easiest and safest way to establish the prediction knowledge for a specific method, as it guides you through all the necessary steps.

Starting the QuickPredict Wizard

- QuickPredict is activated.
 - **Method Definition** is opened.
- 1 Select the method for which you want to set up QuickPredict.
 - ➔ The method settings open.
 - 2 Tap **Result and value handling**.
 - 3 Tap **QuickPredict**.
 - ➔ The QuickPredict settings for the method appear.
 - 4 Tap **[Wizard] (1)**.
 - ➔ An introductory text opens.
 - 5 Read the text, tap **Start recording of reference curves** and confirm by tapping **[Next]**.
 - ➔ The **QuickPredict Wizard** starts directly. After starting, the **QuickPredict Wizard** determines the state of the instrument (cold or warm) and schedules the corresponding fastest recording sequence.
 - ➔ Depending on the state of your instrument, it warms up or cools down.



Recording procedure

- The work screen for a reference measurement is opened. The upper right corner shows the number of previously recorded reference curves, e.g. [1 / 6] means that you are currently recording the first reference curve.
- 1 Follow the instructions on the screen to perform the reference measurement.
 - ➔ Upon completion of a measurement, the instrument evaluates the recorded curve for suitability for QuickPredict:
 - If the recorded curve meets all quality criteria, the result is colored green for pass and the corresponding reference curve is stored in the reference journal.

- If the recorded curve does not meet all quality criteria, the curve is rejected and the reason for the rejection is stated. If your reference curves are rejected repeatedly, check your sample and method for repeatability. Rejected reference curves are not stored in the reference database.
- 2 Repeat the procedure for the rest of the reference measurements. The samples must always be prepared and presented in the same way.
 - ➔ Once all 6 reference curves have been successfully recorded, the instrument automatically calculates the prediction knowledge. This might take several minutes. The progress of the calculation is shown on the screen.
 - ➔ Upon completion, the screen shows if the prediction knowledge calculation has been successful or not.

Saving the QuickPredict settings

- 1 Tap **[OK]**.
 - ➔ You are informed that QuickPredict has been added to your method.
- 2 Tap **[Finish]** to finish the procedure.
 - ➔ In the method settings, **QuickPredict usage** is now set to **Active**.
- 3 **NOTICE: : Data loss:** To definitively store your reference curves and prediction knowledge, tap **[Save]** before you exit the method settings. Otherwise all recorded data is lost.
 - ➔ QuickPredict is now ready for routine measurements.

See also

 Error messages ▶ Page 113

7.1.5.3.3 Expert mode

Recording the reference curves in expert mode is recommended only for experienced QuickPredict users. Expert mode gives the user more leeway in the process, but also bears a higher risk of errors and data loss.

Starting expert mode

- QuickPredict is activated.
 - **Method Definition** is opened.
- 1 Select the method for which you want to set up QuickPredict.
 - ➔ The method settings open.
 - 2 Tap **Result and value handling**.
 - 3 Tap **QuickPredict**.
 - ➔ The QuickPredict settings for the method appear.
 - 4 Tap **[Reference Curves]**.
 - ➔ The reference journal with the reference measurement list opens.
 - 5 Tap one of the reference measurement bars for which you want to record a reference curve:
 - For a reference measurement with a cold instrument, tap a ❄-bar.
 - For a reference measurement with a warm instrument, tap a ☀-bar.
- ➔ The recording procedure starts.
 - ➔ Depending on the state of your instrument, it is first warmed up or cooled down.

Recording procedure

- The work screen for a reference measurement is opened. The upper right corner shows the number of previously recorded reference curves, e.g. [1 / 6] means that you are currently recording the first reference curve.
- 1 Follow the instructions on the screen to perform the reference measurement.
 - ➔ Upon completion of a measurement, the instrument evaluates the recorded curve for suitability for QuickPredict:
 - If the recorded curve meets all quality criteria, the result is colored green for pass and the corresponding reference curve is stored in the reference journal.

- If the recorded curve does not meet all quality criteria, the curve is rejected and the reason for the rejection is stated. If your reference curves are rejected repeatedly, check your sample and method for repeatability. Rejected reference curves are not stored in the reference database.
- 2 Open the next reference measurement tab in the reference journal.
 - 3 Repeat the procedure for the rest of the reference measurements. The samples must always be prepared and presented in the same way.
 - ➔ Once all 6 reference curves have been successfully recorded, a window appears: **Ready for calculation of prediction knowledge. Start now?**
 - 4 To start the calculation of the prediction knowledge, tap **[Yes]**
 - ➔ The calculation starts. This might take several minutes. The progress of the calculation is shown on the screen.
 - ➔ Upon completion, the screen shows if the prediction knowledge calculation has been successful or not.

Saving the QuickPredict settings

- 1 Tap **[OK]**.
 - ➔ You are informed that QuickPredict has been added to your method and that the usage has to be activated.
- 2 If you would like to activate the QuickPredict usage now, check the box **Activate 'QuickPredict usage'**.
- 3 Tap **[Finish]** to finish the procedure.
 - ➔ In the method settings, **QuickPredict usage** is now set to **Active**.
- 4 **NOTICE: : Data loss:** To definitively store your reference curves and prediction knowledge, tap **[Save]** before you exit the method settings. Otherwise all recorded data is lost.
 - ➔ QuickPredict is now active for routine measurements.

Calculating the prediction knowledge at a later time

In expert mode it is possible to start the prediction knowledge calculation at a later point in time than directly after recording the reference curves. this option can also be used if, for example, a single reference curve is newly recorded.

- All reference curves are recorded and saved.
- The measurement settings are opened.

- 1 Tap QuickPredict usage.
- 2 Set the switch to **ON**.
 - ➔ A window appears: **Ready for calculation of prediction knowledge. Start now?**
- 3 To start the calculation of the prediction knowledge, tap **[Yes]**
 - ➔ The calculation starts. This might take several minutes. The progress of the calculation is shown on the screen.
 - ➔ Upon completion, the screen shows if the prediction knowledge calculation has been successful or not.

See also

 Error messages ▶ Page 113

7.2 Measurement

Navigation: Home > Measurement

Introduction

Before a measurement can be performed, a method first needs to be defined. To define a suitable method for your sample, **see** [Method definition ▶ Page 32].

The instrument guides you through the steps during a measurement and displays results in real time. Nevertheless, please note the instructions in this manual, especially at the beginning of your work with the moisture analyzer, as a correct execution of the work steps and the handling of the samples can have a great influence on the results.

7.2.1 Performing a measurement

Switching the instrument on

- The instrument has been connected to the power supply for at least 60 minutes in order to reach operating conditions.
- 1 To switch on the Instrument, press [⏻].



- 2 Log-in with your password, if needed.

Selecting a method

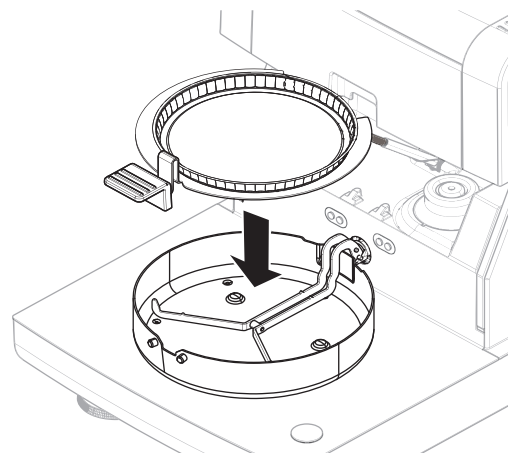
- 1 Tap on **Measurement**.
 - ➔ The methods list is displayed.
- 2 Select the method to determine your sample.
 - ➔ The work screen of the method appears.
- 3 Open the sample chamber.

Placing the accessories

- The display now prompts you to load the predefined accessories and tare the balance.
- 1 Place the empty accessories in the sample pan handler.
 - 2 Place the sample pan handler in the sample chamber. Ensure that the tongue of the pan handler fits exactly in the slot of the draft shield element. The accessories must lie flat in the pan holder.

i Note

METTLER TOLEDO recommends to work with the sample pan handler at all times during a measurement. The pan handler is ergonomic, ensures correct positioning, is safe and provides protection against possible burns due to the hot accessories.



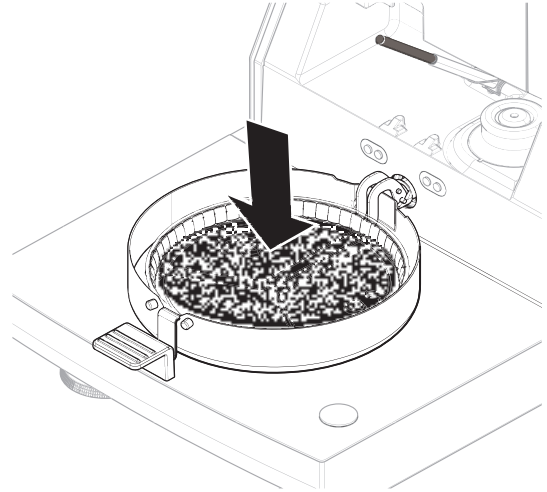
Taring

- 1 Close the sample chamber.
 - ➔ The instrument tares the balance (**Starting mode: Automatic**).
- 2 After taring, open the sample chamber.


Starting the measurement

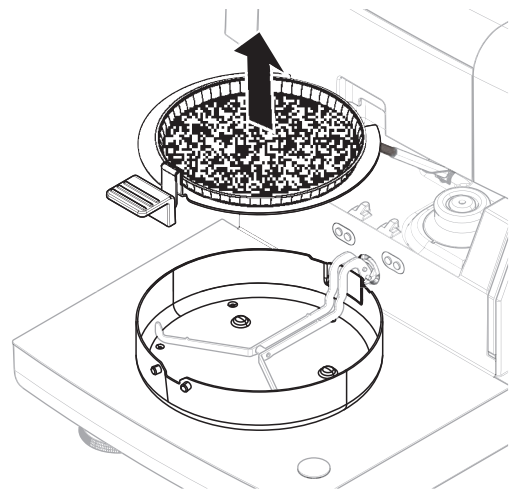
- After taring, the display prompts you to add the sample to the accessory.
- 1 Add the sample to the accessory. If you have defined a start weight, weigh the sample using the weighing-in aid.

- 2 Close the sample chamber.
- 3 Tap [**Start drying**].
 - ➔ The drying process starts.
 - ➔ During the measurement, the display continuously shows the real time results of the drying process in form of a drying curve.
- ➔ When the drying process is finished, the final measured moisture content of your sample is shown on the display. If control limits are defined for the method, the status (passed, warned or failed) is shown.



Removing the sample

- The drying process is completed.
 - The sample chamber is open.
- 1 **⚠ CAUTION: Sample chamber and sample pan may still be hot.** Carefully remove the sample pan handler from the sample chamber.
 - 2 Remove the accessories from the handler.
 - 3
 - To perform a further measurement with the current method, tap [**Next Sample**].
 - To perform a measurement with a new method, tap [**Measurement**].
 - To return to the home screen, press [].



Stop drying

When you stop the measuring process by tapping [**Stop drying**], you can choose between two options:

- **Abort measurement and save data**
Already sampled data are stored and an entry will be made in the results. The result is marked as aborted.
- **Cancel**
The process will be continued.

Adding a comment

At the end of a measurement you can add a comment to the result of the measurement. This comment is stored in the measurement result and can be printed. A comment can only be entered before leaving the current measurement.

- 1 To create a comment, tap **Note**.
 - ➔ The keyboard dialog appears.
- 2 Enter a comment.
- 3 Confirm with **OK**.

7.2.2 Preparing the sample

The quantity and preparation of the sample is crucial for the speed of the measurement process and the quality of the measurement results.

- Choose a sample size that is as small as possible but as large as necessary.
- The more inhomogeneous the sample substance, the larger the amount of sample needed to obtain a repeatable result.
- Distribute the sample evenly over the sample pan. This increases the surface area of the sample and facilitates heat absorption.
- Use the glass fiber filter (available as accessory) for the following sample types:
 - liquid samples
 - fat-containing samples
 - melting samples
 - highly reflective samples
 - samples that form a skin on the surface when heated

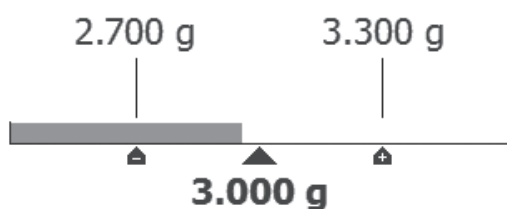
Tare the glass fiber filter together with the sample pan before adding the sample.

See also

[Accessories](#) ▶ Page 123

7.2.3 Working with weighing-in aid

The weighing-in aid can be defined for each method and facilitates weighing in of the sample to a target value. This is particularly necessary if you require all the samples of a method you wish to process to have same weight in order to improve the repeatability of the measurement results. In addition, the weighing-in aid can be set as active so that the drying process cannot be started if the weight of sample is outside the set tolerance. You are therefore compelled to weigh-in the correct quantity of sample. If all sample weighed are within tolerances then this will improve the repeatability. The weighing-in aid is available only if start weight has been activated. For further information see at section [Settings of Start Weight ▶ Page 41].



Icon	Function
	Lower weight limit (tolerance range)
	Target weight
	Upper weight limit (tolerance range)

7.2.4 Working with shortcuts

Shortcuts create a button on the home screen with which measurements can be started directly, which is most useful for methods that are used very often.

Shortcuts are user-specific: every user can create shortcuts individually that only appear in the user profile. The rights to create or edit shortcuts have to be defined by an administrator via the menu **User management**. If the rights are denied, existing shortcuts can be used but it is not possible to create or to edit shortcuts. This enables the administrator to preconfigure home-screens for operators to increase process security and efficiency.

Create a shortcut

Option 1: Creating a single shortcut directly from the work screen.

- 1 The method is opened in the work screen.
- 1 Tap **[☰]** in the title bar.
 - ➔ A popup-window **My shortcuts** opens.
- 2 Tap **Add a shortcut to my home for this method...**
 - ➔ The window **Shortcut properties** appears.
- 3 If you want your shortcut to have a different name than the method, tap **Shortcut name**, enter the new name and confirm with **OK**.
- 4 Tap **Save**.
 - ➔ The new shortcut appears on the home screen.

Option 2: Creating one or several shortcuts at once.

- 1 Tap **[Measurement]**.
 - ➔ The list of the defined methods appears.
- 2 Tap the button **Edit shortcuts...** in the action bar.
 - ➔ A checklist of the defined method appears.
- 3 Check the methods from the list for which you want to create a shortcut.
- 4 Tap **[Save]**.
 - ➔ The new shortcuts appear on the home screen.



Edit a shortcut

- 1 Tap **[Measurement]**.
 - ➔ The list of the defined methods appears.
- 2 Tap **[Edit shortcuts...]**.
- 3 Tap the defined method from the list for which you want to edit the shortcut.
- 4 Define the shortcut name.
- 5 Tap **[OK]**.
- 6 Tap **[Save]**.
 - ➔ The shortcut has been edited.

Removing a shortcut

- 1 Tap **[Measurement]**.
 - ➔ The list of the defined methods appears.
- 2 Tap **[Edit shortcuts...]**.
- 3 Uncheck the shortcut that are to be removed from the home screen.
- 4 Tap **[Save]**.
 - ➔ The shortcut is removed from the home screen.

7.2.5 Working with QuickPredict

Introduction

QuickPredict is an embedded function that predicts the result of a moisture measurement shortly after its start. Based on the prediction knowledge of the method, QuickPredict analyzes the drying curve of a running measurement and predicts the end result.

Note

Before QuickPredict can be used in routine operations, the function must be enabled for the method and the prediction knowledge must be established. For the necessary settings and preparations, **see** [Preparing a method for QuickPredict ▶ Page 52].

7.2.5.1 Performing measurements with QuickPredict

If the Prediction Knowledge for a certain method has been established, the function can be activated and used during measurements.

Performing measurements with QuickPredict

- The prediction knowledge for the method is established.
 - QuickPredict is activated for the method.
- 1 Prepare the sample according to method conditions.
 - 2 Start the measurement.
 - ➔ QuickPredict will try to release a prediction earliest after two minutes. Up to this point, the message **Prediction pending (1)** is shown.
 - ➔ As soon as a prediction is possible, the screen shows the predicted result. Depending on the method settings, **Save and Stop** and/or **Save and Continue** is now active.
 - ➔ If not stopped, the measurement will continue running until the final result is determined.

Elements on the prediction screen



	Name	Explanation
1	QuickPredict icon	Appears during measurements for which QuickPredict Usage is activated.
2	Current prediction	Shows the current prediction of the end result value. The prediction may change over time.
3	Dashed line	Predicted data.
4	Solid line	Measured data.
5	Control limit colorations (only if control limits are enabled)	Prediction inclusive prediction uncertainty are: <ul style="list-style-type: none"> • within control limits: green • outside control limits: red
6	Save and Continue button	See [Handling QuickPredict results ▶ Page 65].
7	Elapsed measurement time	
8	Save and Stop button	See [Handling QuickPredict results ▶ Page 65].

	Name	Explanation
9	Zoom-in (only if control limits are enabled)	Zooms in to a detailed view of the current prediction.
10	Current prediction uncertainty	See below.

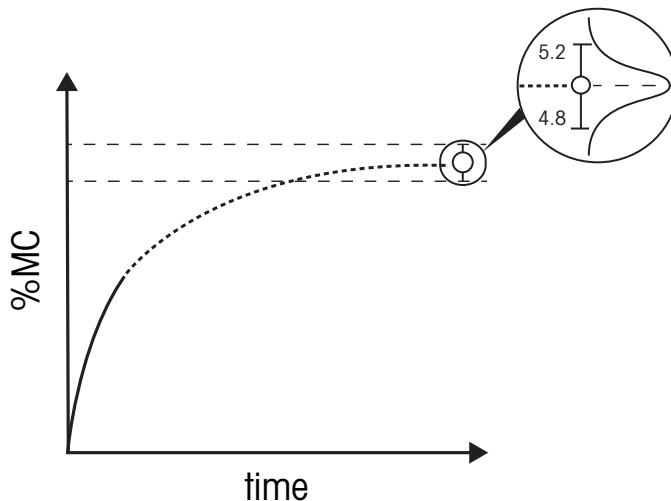
Messages on the prediction screen

During the measurement, the following messages can be displayed on the screen:

- **Prediction pending (1)**: This message is shown during the first few minutes of the measurement (initialization time). Depending on the sample substance, the initialization time can be 2 or 4 minutes.
- **Prediction pending (x)**: If the initialization time is delayed (e.g. due to vibrations or differences in the sample preparation or substance), this message is shown. QuickPredict is still trying to release a prediction.
- **No prediction possible**: QuickPredict cannot release a prediction. This can have several reasons, **see** [Error messages ▶ Page 113]. If not aborted, the measurement will continue running until the final result is determined.

Prediction uncertainty

Any prediction comes with a prediction uncertainty. The prediction uncertainty takes into account the repeatability of the recorded reference curves and how much the currently measured curve is deviating from the reference curves. This is why all predictions are stated i.e. as following: 5.00 ± 0.2 %MC. The final result is therefore expected to be somewhere in the range of 4.80–5.20 %MC with a Gaussian probability distribution.



Display of control limits

If control limits are set for a method, the predicted results are colored according to their value. As with a normal measurement, the display is colored according to the traffic light system, depending on whether a predicted result is within or outside the control limits:

- **Red**: Predicted result +/- prediction uncertainty surpass the control limits:



- **Orange:** Predicted result +/- prediction uncertainty surpass the warning limits:



- **Green:** Predicted result +/- prediction uncertainty are within the control and warning limits:



- **No color:** Control and warning limits are not enabled. Note that the zoom function is also unavailable if no limits are set:



See also

[Error messages](#) ▶ Page 113

7.2.5.2 Handling QuickPredict results

In routine operations, QuickPredict can be used in two ways once a prediction is available during a measurement:

- **Save and Continue** (typical for quality control): The user saves the current prediction and continues the measurement. This option is most useful if you want to base a decision on a prediction but want to verify the prediction at the end of the measurement. Both the acknowledged prediction, including the prediction uncertainty, and the actual final value are documented.
Benefit: Fast decision making, verification of prediction, storage of actual end result.
- **Save and Stop** (typical for in-process control): The user saves the current prediction and stops the measurement. All decisions taken are based on the predicted value and the prediction uncertainty. Only these values are documented.
Benefit: Short time to result, instrument is readily available for the next operator/measurement.

Depending on the specific use case of QuickPredict for a method, either none, just one or both of these two options can be active. For relevant settings, **see** [QuickPredict ▶ Page 43].

Activating Saving of prediction

- QuickPredict is activated for the method.
- The method settings are open.
- 1 Tap **Result and value handling**.
- 2 Tap **QuickPredict**.
 - ➔ The QuickPredict settings open.
- 3 Tap **Measurement settings**.
 - ➔ The **Measurement settings** open.
- 4 Check the box at **Allow saving of prediction**.
- ➔ **Allow saving of prediction** is activated.

Activating Stopping of measurement

- QuickPredict is activated for the method.
- The method settings are open.
- 1 Tap **Result and value handling**.
- 2 Tap QuickPredict.
 - ➔ The QuickPredict settings open.
- 3 Tap **Measurement settings**
 - ➔ The **Measurement settings** open.
- 4 Check the box at **Allow stopping of measurement**.
- ➔ **Allow stopping of measurement** is activated.

7.2.5.3 Working with uncertainty thresholds

Introduction

For both result handling options (**Save and Stop** and **Save and Continue**), a customizable threshold is available. The threshold defines at what prediction uncertainty the corresponding option becomes available. This means that it is possible to ensure that a measurement can, for example, only be stopped if the prediction uncertainty reaches a certain value (e.g. is smaller than 0.03 %MC). Without the threshold, the activated option is enabled as soon a prediction is available.

Thresholds should only be enabled after a reasonable amount of measurements with active results prediction (> 20) have been carried out, after which mean values of prediction uncertainty for typical measurements are at hand and reasonable values for thresholds can be determined. Usually and sensibly, the threshold to allow **Save and Continue** would be put at a higher value than the one for **Save and Stop**.

Defining uncertainty thresholds

- QuickPredict is activated for the method.
- The result handling options (**Save and Continue** and / or **Save and Stop**) are set.
- The **Measurement settings** are opened.
- 1
 - To set a threshold for the saving of a prediction, tap **Threshold to allow saving**.
 - To set a threshold for the stopping of a prediction, tap **Threshold to allow stopping**.
- 2 A locked keyboard screen appears.
- 3 Tap the activation switch in the upper left corner.
 - ➔ The switch turns green and the keyboard is unlocked.
- 4 Enter the desired value for the threshold and confirm by tapping [**OK**].
- ➔ The uncertainty threshold is now active. The threshold value is visible in the settings.

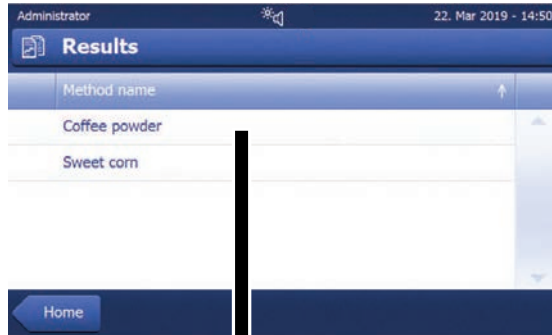
7.3 Results

7.3.1 Graphical evaluations of measurement results

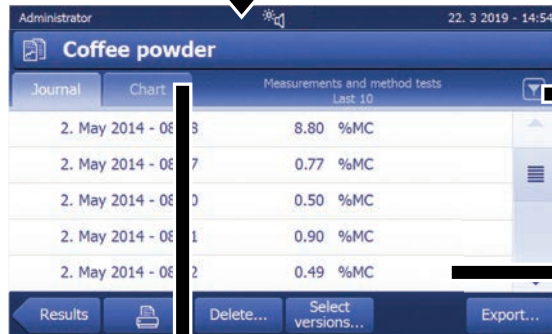
Navigation: Home > Results

This function allows you to manage and evaluate measurement results.

Method list



Journal view



Filter menu

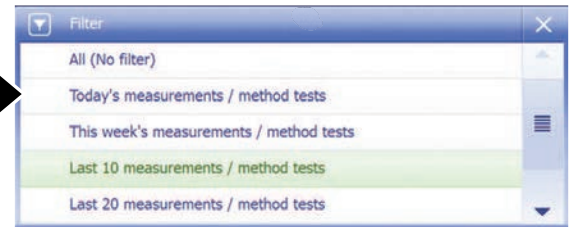
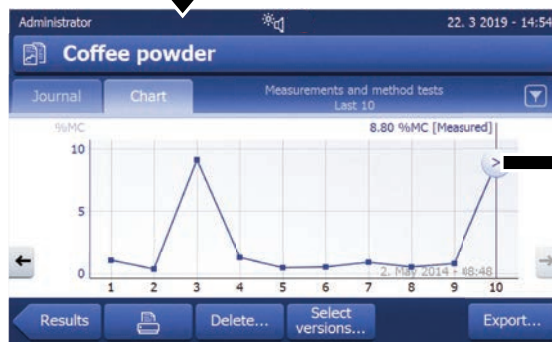


Chart view



Graphic view



Results of test measurements



1 Method list

- Tap the method you want to evaluate.
 - ➔ The journal view appears.

2 Journal view

The journal view allows you to start different graphical evaluations from a measurement series. Note that results that appear with an uncertainty (e.g. 9.19 +/- 9.63 %MC) are predicted results. You can perform the following functions:

- To start **filter function**, tap [▼].
 - ➔ The filter menu appears.
- To start **chart view**, tap [Chart].
 - ➔ The chart view of the series of measurement appears (4).
- To start **graphic view**, tap a measurement result.
 - ➔ The graphic view appears (5).

3 Filter menu

The filter function allows you to evaluate the measurement series according to various criteria. You can select the following criteria:

- **All (No filter)**
- **Today's measurements /method tests**
- **This week's measurements / method tests**
- **Last 10 measurements / method tests***
- **Last 20 measurements / method tests**
- **Advanced filters**

* Factory setting

- Tap [X] to close filter menu.

Advanced filters

The menu **Advanced filters** offers you a number of additional filter criteria.

The following settings can be defined:

Parameter	Description	Values
Time range	With the option Date range the results are being filtered by date. Begin and end date must be defined. With the option Last measurements / method tests the last measurements and method tests that have been performed can be shown. The number must be between 1 and 500.	No time range limit Date range Last measurements / method tests
Measurement types	With the option Measurements and method tests measurements as well as method tests are being filtered. With the option Only measurements only measurements are being filtered. With the option Only method tests only method tests are being filtered.	Measurements and method tests Only measurements Only method tests

4 Chart view

This view allows you to display the results of a series of measurements depending on the filter settings. If you have defined the control limits in the method, they are diagramed in the results.

The ⏪ marked measuring point is displayed with date, time, and the measurement result. You can perform following functions:

- To jump forward to the next measurement result, tap [->].

- To jump backwards to the previous measurement result, tap [<-]. Alternatively, tap directly on the desired measurement point.
- To recall the full measurement curve of the corresponding measurement, tap [>].

Note

Only results with the same unit as the latest selected result can be displayed in the chart view.

With this function you can display a graphical view of the detailed results of a single measurement. If you have defined the control limits in the method, passed, warned or failed status is shown, **see** [Control limits ▶ Page 42].

You can perform the following functions:

Printing result

- To print the result, tap [].

Exporting result

- To export the result, tap [**Export**].

See Exporting Results.

Deleting result

- To delete this measurement result, tap [**Delete**] (depending on user rights).

With the auto-delete functionality the oldest results will automatically be removed, **see** Result management.

More data

- To display more measurement data and method parameters, tap [**More data**]

5b Displaying results of test measurements

For test measurements **see** [Test measurement ▶ Page 50].

This view allows you to display the results of a test measurement. The screen shows the switch-off criterion as well as the time and the result of the test measurement. Each criterion is marked as a measuring point and displayed with its result.

7.3.2 Method versioning

Every method has a method versioning function that works in the background. Whenever the settings of a method are changed, the versioning function automatically generates a new version of the method. This has also an effect on the results: Every measurement overtakes the current version of the method.

Measurement and method test results can be filtered based on the method version as follows:

- 1 Open the menu **Results**.
- 2 Select a method.
 - ➔ A journal with the results of the performed measurements and method tests appears. If there are results in several versions, the button **Select versions...** appears in the action bar.
- 3 Tap **Select versions...**
 - ➔ The dialogue **Method versions** appears.
- 4 Select the versions you want to filter.
- 5 Tap **Save** to confirm the selected versions.
 - ➔ The system returns to the result list. The results based on the selected versions appear on the list, the other results are being grayed out.

Note

The results filtered by the method version can be exported or printed. If the results are being exported as PDF or being printed, the results of the different versions are being listed based on their version.

7.3.3 Exporting results

Results can be exported to an external storage device or to an SFTP server. The data can be exported as single result exports or as multiple result exports.

Note

Results cannot be imported to another Moisture Analyzer.

7.3.3.1 Exporting results to an external storage device

- 1 Connect the storage device.
- 2 Select the section **Results**.
 - ➔ The method list appears.
- 3 Select a method.
 - ➔ A journal with the results of the performed measurements and method tests appears.
- 4 Select a single result and tap on [**Export**] to export this specific result.
 - or -
 - Tap directly on [**Export**] to export all results.
 - ➔ The dialogue **Export results** appears.
- 5 Define the settings for the export.
- 6 Tap on [**Export target**] and select the option [**Peripheral**].
- 7 Tap on [**Location**].
- 8 Select the connected external storage device.
- 9 Select the location for the file and tap on [**OK**] to confirm.
- 10 Tap on [**Export**].
 - ➔ The chosen results are being exported to the USB storage device.

7.3.3.2 Exporting results via SFTP server

- 1 Connect the device to the Ethernet.
- 2 Select the section **Results**.
 - ➔ The method list appears.
- 3 Select a method.
 - ➔ A journal with the results of the performed measurements and test measurements appears.
- 4 Select a single result and tap on [**Export**] to export this specific result.
 - or -
 - Tap directly on [**Export**] to export all results.
 - ➔ The dialogue **Export results** appears.
- 5 Define the settings for the export.
- 6 Tap on [**Export target**] and select the option [**Network (SFTP)**].
 - ➔ The dialogue **Export results** reappears with additional Ethernet options.
- 7 Define the Ethernet options.
- 8 Tap on [**Export**].
 - ➔ The chosen results are being exported to the SFTP server.

7.3.3.3 Exporting results with EasyDirect Moisture

With **EasyDirect Moisture**, measurement and routine testing results are collected in a database. Results can be viewed, exported and also routine tests can be scheduled. The **EasyDirect Moisture** software must be installed on an external computer and the device must be connected to that computer with a USB cable, RS232 cable or over network.

Before the function **EasyDirect Moisture** can be used, the following settings must be defined on the instrument:

Defining EasyDirect Moisture as peripheral device

Navigation: Settings > Instrument settings > Peripherals.


- **Peripherals** is opened.
- No printer is installed as a peripheral. Uninstall printer if necessary.
- 1 Tap [**New...**].
 - ➔ The list of possible peripherals appears.
- 2 Select [**EasyDirect Moisture**].
 - ➔ The parameters for EasyDirect Moisture appear.
- 3 Under **Device interface**, select the desired interface for the EasyDirect Moisture connection:
 - For a RS232-interface, select **RS232**.
 - For a USB-interface, select **USB**.
 - For a Network-interface, select **Network**.
- 4 Set the rest of the settings.
- 5 To save the settings, tap [**Save**].
 - ➔ The option **EasyDirect Moisture** is defined as peripheral device on the instrument.

See also

 Peripherals ▶ Page 84

7.3.3.4 Single result export settings

The following parameters can be defined:

Parameter	Description	Values
File name	Defines the name of the new data file.	any
File type	Defines the type of the data file.	CSV* PDF
Language	Defines the language for export files.	English Deutsch Italiano Français Español Português Polski Magyar Český Русский 日本語 中文 한국어/조선말
Export target	Defines the destination of data transfer.	Peripheral Network (SFTP)
Subdirectory	Defines to which subdirectory on the SFTP server the data is stored.	any
Location	Finds the location on the storage device.	Browse and select
IP address	Defines the IP address of the receiving server.	any
Port	Defines the Port for communication with the server.  Note Usually the default value is used.	22* any
Password	Entry for the password needed for server login.	any
User name	Entry for the user name needed for server login.	any

* Factory setting

7.3.3.5 Multiple result export settings

The following parameters can be defined:

Parameter	Description	Values
File name prefix	Defines the name of the new data file.	any
File type	Defines the type of the data file.	CSV* PDF
Language	Defines the language for export files.	English Deutsch Italiano Français Español Português Polski Magyar Český Русский 日本語 中文 한국어/조선말
Export selection	Custom selection of multiple results for the export from selected measurements. The selection can be made via the filter function.	Selection: <input type="checkbox"/> <input checked="" type="checkbox"/>
Export content	Defines the content of the multiple results export. Summary export (one file, no intermediate values): Results as summary report in one file. Multiple export (one file per measurement): Results with intermediate measurement values as separate files with the same layout as for the single result export.	Summary export Multiple export
Export target	Defines the destination of data transfer.	Peripheral Network (SFTP)

* Factory setting

7.4 Test/Adjust

Navigation: Home > Test/Adjust

Introduction

Routine tests can be performed to ensure accurate measurement results. The tests should be performed in fixed, regular intervals depending on your quality management system and the results should be documented in a traceable way.

Main menu	Submenu	Further information
Adjustments	Weight adjustment - external	see [Weight adjustment - external ▶ Page 77]
	Temperature adjustment	see [Temperature adjustment ▶ Page 77]
Tests	Weight test - external	see [Weight test - external ▶ Page 73]
	Temperature test	see [Temperature test ▶ Page 73]
	SmartCal x1 test	see Test Printout Examples
History	Weight test history	see [History ▶ Page 79]
	Weight adjustment history	
	Temperature adjustment history	
	Temperature test history	
	SmartCal x1 test history	

7.4.1 Tests

Navigation: Home > Test/Adjust > Tests

Introduction

Routine tests are performed to ensure accurate results. Therefore the tests should be performed in fixed, regular intervals depending on your Quality Management system and the results should be documented in a traceable way.

Based on your process requirements, METTLER TOLEDO can help you to define the routine tests to be performed. For further information, contact your local METTLER TOLEDO representative.

7.4.1.1 Weight test - external

Navigation: Home > Test/Adjust > Tests > Weight test - external

Target of the test

The external weight test determines if the integrated balance and the weight value display are working correctly by placing a test weight. The test ensures correct and precise results.

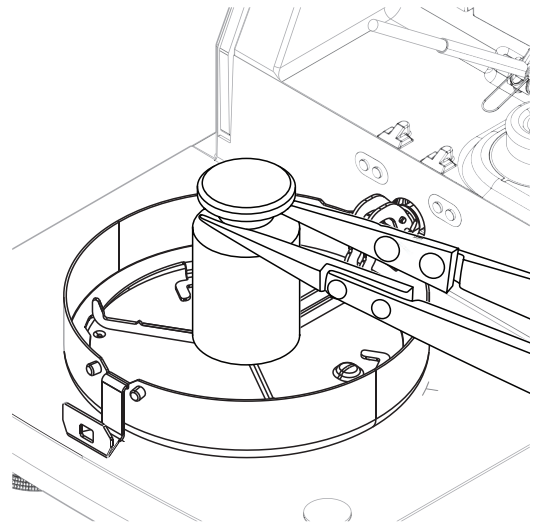
Equipment

- Test weights. To guarantee full traceability, METTLER TOLEDO recommends to use certified weights.

Testing procedure

- Test weight and test settings are defined.
 - 1 Open sample chamber.
 - 2 Tap the item **Weight test - external**.
 - ➔ The test screen appears.
 - 3 Clear sample pan holder and tap **Start test**.
 - ➔ The required value flashes and prompts you to load the weight.
 - 4 Load the required test weight.
 - ➔ The balance indicates the test process, ——— appears.
 - 5 When the display flashes **000.00** remove the test weight.
 - ➔ The display shows the test results and indicates whether the test has passed or failed according to defined tolerances.

To print the results, tap [🖨️].



Timeout

- In case of a timeout of over 75 seconds, the error message appears **Weight out of range. The test has been aborted**. The test was not executed.
 - 1 Confirm with [OK].
 - 2 Repeat the test.

See also

[🔗 Accessories](#) ▶ Page 123

7.4.1.2 Temperature test

Navigation: Home > Test/Adjust > Tests > Temperature test

Target of the test

The temperature test checks if the temperature sensor is working correctly and if it delivers correct results. Using the temperature kit, the difference of the measured temperature at the kit (target temperature 1) and the sensor (target temperature 2) is used to calculate the precision of the sensor.

It is possible to start a test and subsequently transform it into an adjustment, if required.

Equipment

- Temperature kit.



⚠ CAUTION

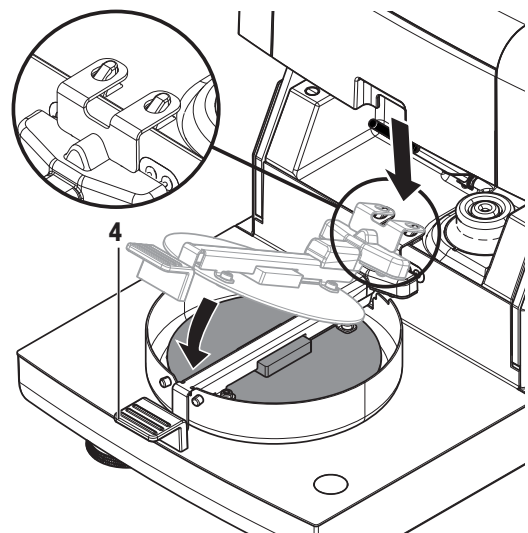
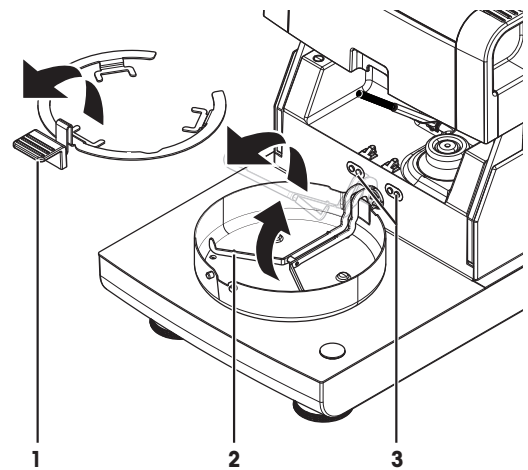
Burns due to hot surfaces

Parts of the instrument can reach temperatures that cause injuries if touched.

- Hold the temperature kit by its handle only.



Installing the temperature kit

- Instrument is cooled down to $< 50\text{ }^{\circ}\text{C}$.
 - Instrument is switched on.
 - Sample chamber is open.
- 1 Remove sample pan handler (with pan) (1).
 - 2 Remove sample pan holder (2).
 - 3 Clean the contact areas (3) if needed.
 - 4 Insert **Temperature kit** (4).



Testing procedure

- Test settings are defined, **see** [Test settings ▶ Page 96].
 - Temperature kit is installed.
- 1 Tap **Temperature test**.

- ➔ Work screen **Temperature test** appears.
- 2 Close the sample chamber.
- 3 Tap [**Start test**].
 - ➔ The testing process starts: The instrument first heats up to target temperature 1 (lower) for 15 minutes, then, for another 15 minutes, heats further up to target temperature 2 (higher). The screen shows the target temperature values (**Target**), measured at the sensor, and the actual temperature (**Actual**), measured at the temperature kit.
 - ➔ The instrument indicates whether the test has passed or failed according to defined tolerances.
- 4 If an adjustment is needed, decide if you want to perform it now, **see** Temperature adjustment.
- 5
 - To return to the menu **Tests**, tap [**Tests**].
 - To print the results, tap [].
 - To display or print the results at any time, tap [**History**].
 - To return to the home screen, press [].
- 6 Let the instrument cool down before removing the temperature kit.

See also

 Accessories ▶ Page 123

7.4.1.3 SmartCal test

A SmartCal test is a quick and integral test of the instrument functions. SmartCal™ is a granular test substance whose moisture content value, when heated at a specific temperature for a specific time, is precisely defined. By performing a measurement with SmartCal™ and comparing the results to the control limits, it can be tested if both the integrated balance as well as the temperature sensor work well together and if the instrument functions correctly.

However, SmartCal tests do not supersede the recommended periodic weight or temperature tests.

Equipment

- SmartCal™ Moisture Analyzer Test Substance.
- For best results and easy handling, use a RHT sensor.
If no RHT sensor is available, the room temperature and relative humidity must be entered manually.
Certified testo RHT sensors are supported.

Certified RHT sensors

The following RHT models from Testo are supported: testo 435-2, testo 435-4, testo 635-2, testo 735-2.

The testo RHT sensor has to be connected to the USB port on the terminal.

For more information about Testo, **see**

▶ <http://www.testo.com>

- Store SmartCal™ at room temperature.
- Remove SmartCal™-stick from the blister pack right before use.
- Do not use damaged or expired sticks (the expiry date is printed on the blister pack and on the stick (e.g. Exp08.2021)).
- After a SmartCal™ test, the test substance can be disposed of as normal waste.

Additional information about SmartCal™ can be found under:



▶ www.mt.com/smartcal

Testing procedure



The test is carried out in the same way as a measurement.

 **Note**

Every SmartCal test has a maximum number of 30 test results. If there are more than 30 results for one test, the oldest results will automatically be deleted.

- The instrument has been connected to the power supply for at least 60 minutes in order to reach operating conditions.
 - If available, a RHT sensor is connected.
 - The SmartCal package is acclimatized.
 - Test temperature and control limits are set.
 - The sample chamber is open.
- 1 Tap [**SmartCal x1 test**].
 - ➔ The method list is shown on display.
 - 2 Select a method from the list.
 - ➔ The work screen appears.
 - 3 If the test is performed without RHT sensor, tap [**Enter room temperature and humidity**], enter current room temperature and humidity and confirm with [**OK**].
 - 4 Enter SmartCal™ lot number if needed. Tap [**OK**].
 - 5 Place the sample pan handler with the aluminum sample pan in the instrument.
 - 6 Tap [**->0/T<-**] to tare the balance.
 - 7 Remove a SmartCal™ stick from the blister pack, open it and distribute the entire contents evenly over the sample pan. If necessary, carefully rotate and tilt the sample pan until it is fully and uniformly covered with granulate.
 - 8 Start the test immediately by tapping [**Start drying**].
 - ➔ The SmartCal test procedure starts.
 - ➔ When the test is finished, the instrument indicates whether the test has passed or failed. The display shows the normalized result. If the SmartCal result has failed, **see** [Measures after failed test ▶ Page 76].
 - 9
 - To return to the menu **Tests**, tap [**Tests**].
 - To print the results, tap [].
 - To display or print the results at any time, tap [**History**].
 - To return to the home screen, press [].

See also

-  Test settings ▶ Page 96
-  Accessories ▶ Page 123

7.4.1.4 Measures after failed test

In case of a failed test, take the following measures:

- 1 Repeat the test and ensure that all steps have been carried out correctly.
- 2 If the failure persists, perform an according adjustment.
 - If a weight test has failed, perform a weight adjustment.
 - If a temperature test has failed, perform a temperature adjustment.
 - If a SmartCal test has failed, perform a weight adjustment first, then perform another SmartCal test and, if the failure persists, perform a temperature adjustment.
- 3 If the failure persists, **see** Malfunctions when operating the instrument.
- 4 If the failure persists, contact your METTLER TOLEDO service representative.

7.4.2 Adjustments

Navigation: Home > Test/Adjust > Adjustments

Introduction

To guarantee correct results and high performance of the instrument, it is necessary to adjust its functions:

- After setting up the balance for the first time.

- After a change of location.
- If a test indicates that an adjustment is due.

Test the instrument exclusively under operating conditions.

METTLER TOLEDO offers an adjustment service – please contact your METTLER TOLEDO representative.

7.4.2.1 Weight adjustment - external

Navigation: Home > Test/Adjust > Adjustments > Weight adjustment - external

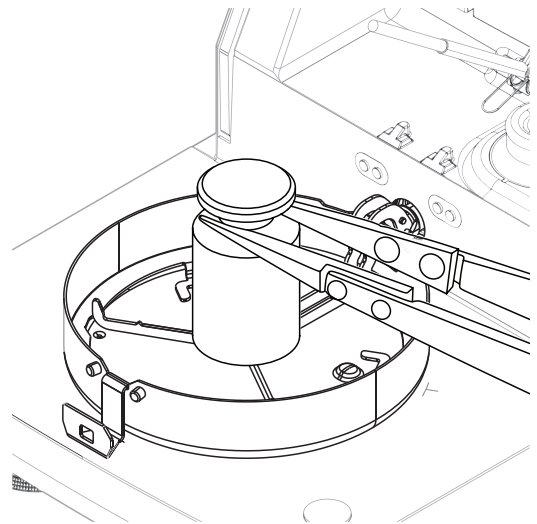
In an external weight adjustment, the integrated balance is adjusted by placing a predefined weight as a reference for the instrument to re-calibrate itself.

Equipment

- Test weights. To guarantee full traceability, METTLER TOLEDO recommends to use certified weights.

Adjustment procedure

- Test weight and Adjustment settings are defined.
- 1 Tap **Weight adjustment - external**.
 - ➔ The adjustment screen appears.
 - 2 Clear sample pan holder and tap [**Start adjustment**].
 - ➔ The required value flashes and prompts you to load the weight, e.g. "100.00 g".
 - 3 Load the required test weight in the center of sample pan holder.
 - ➔ The balance indicates the adjustment process, "_____ " appears.
 - 4 When the display flashes "**000.00**" remove the test weight.
 - ➔ The balance is adjusted and ready to use for further measurements. The display shows the adjustment results.



Timeout

- In case of a timeout of over 75 seconds, the error message appears **Weight out of range. Adjustment aborted**. The test was not executed.
- 1 Confirm with [**OK**].
 - 2 Repeat the adjustment.

See also

[Accessories](#) ▶ Page 123

7.4.2.2 Temperature adjustment

Target of the adjustment

A temperature adjustment ensures that the temperature sensor in the sample chamber is correctly calibrated and delivers the correct results. Using the temperature kit, the temperature value measured at the sensor is recalculated and corrected.

Equipment

- Temperature kit.



⚠ CAUTION

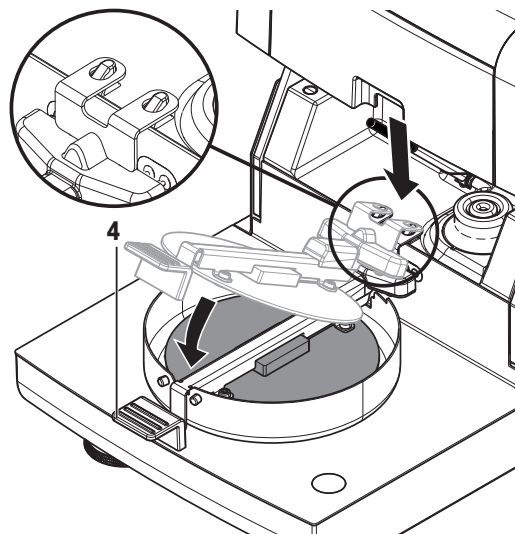
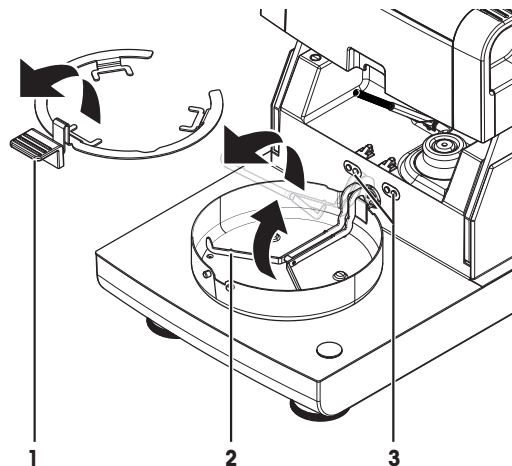
Burns due to hot surfaces

Parts of the instrument can reach temperatures that cause injuries if touched.

- Hold the temperature kit by its handle only.

Installing the temperature kit

- Instrument is cooled down to $< 50\text{ }^{\circ}\text{C}$.
 - Instrument is switched on.
 - Sample chamber is open.
- 1 Remove sample pan handler (with pan) (1).
 - 2 Remove sample pan holder (2).
 - 3 Clean the contact areas (3) if needed.
 - 4 Insert **Temperature kit** (4).



Adjustment procedure

- Draft shield is installed.
 - **Temperature kit** is inserted.
 - Adjustment settings are defined, **see** Adjustment Settings.
- 1 Tap menu item **Temperature adjustment**.
 - ➔ Work screen **Temperature adjustment** appears.
 - 2 Close sample chamber
 - 3 Tap [**Start adjustment**].

- ➔ The adjustment process starts: The instrument first heats up to target temperature 1 (lower) for 15 minutes, then, for another 15 minutes, heats further up to target temperature 2 (higher). The screen shows the target temperature values (**Target**), measured at the sensor, and the actual temperature (**Actual**), measured at the temperature kit.
 - ➔ The instrument adjusts the upper temperature and concludes the adjustment.
- 4
 - To print the results, tap [].
 - To display or print out the results of previous adjustments, tap [**History**].
 - To return to the home screen, tap [].
 - 5 Let the instrument cool down before removing the **Temperature kit**

Note

Your calibrated temperature kit can be re-calibrated. Please contact your local METTLER TOLEDO representative for more information.

See also

Accessories ▶ Page 123

7.4.3 History

Navigation: Home > Test/Adjust > History

The instrument always records all test or adjustment operations that have been made and saves them in a memory which is specially protected against power failure (limited to the last 50 records per history selection).

Note

Aborted adjustments or tests will not be saved.

When the History is selected, a list appears with the history selection as follows:

- **Weight test history**
- **Weight adjustment history**
- **Temperature adjustment history**
- **SmartCal x1 test history**
- **Temperature test history**

The following information is displayed:

Weight test history

Weight test external	
Calibration weight identification	
Nominal weight	g
Actual weight	g
Difference	g
Tolerance	g
Temperature	°C

Weight adjustments history

Weight adjustment external	
Calibration weight name	
Calibration weight identification	
Nominal weight	g
Temperature	°C

Temperature adjustment/test history

Temperature adjustment		Temperature test	
Adjustment kit identification		Adjustment kit identification	
Temperature 1	target - actual	Temperature 1	target - actual

Temperature adjustment		Temperature test	
Temperature 2	target - actual	Temperature 2	target - actual
		Free temperature	target - actual
		Tolerances for each temperature	°C

SmartCal x1 test history

Following parameters are available for each SmartCal method.

SmartCal test	
User name	
SmartCal identification	
Start weight	g
Total test time	minutes
Dry weight	%MCN
Test result	passed / failed
Date and time	
Leveling information	

The selected individual results can be printed out by tapping .

7.5 Settings

Navigation: Home > Settings

In this section you will find information how to define the general settings of your instrument.

Main menu	Submenu	Further information
User preferences	Languages	see [Languages ▶ Page 82]
	Screen	see [Screen ▶ Page 82]
	Sound	see [Sound ▶ Page 83]
	Password	see [Password ▶ Page 83]
Instrument settings	Regional Settings	see [Regional settings ▶ Page 83]
	Peripherals	see [Peripherals ▶ Page 84]
	Network interfaces	see [Network interfaces ▶ Page 88]
	Default settings	see [Default settings ▶ Page 86]
	Shared directory	see [Shared directory ▶ Page 87]
	Company information	see [Company information ▶ Page 87]
	Touch screen adjustment	see [Touch screen adjustment ▶ Page 87]
Application settings	Identifications management	see [Identifications management ▶ Page 90]
	Print and export management	see [Print and export management ▶ Page 91]
	Method selection	see [Method selection ▶ Page 94]
Quality management	Test / Adjustment settings	see [Test / Adjustment settings ▶ Page 94]
User management	Groups	see Groups
	Users	see [Users ▶ Page 99]
	Account policies	see [Account policies ▶ Page 100]

System and data management	Result management	see Result management
	Export / Import	see [Export / Import ▶ Page 102]
	Back up / Restore	see [Back up / Restore ▶ Page 103]
	Export event logs	see [Export event logs ▶ Page 103]
	Reset	see [Reset ▶ Page 104]
	Update	see [Update ▶ Page 105]
Help and tutorials	Instrument tutorial	see Instrument tutorial

7.5.1 User preferences

Navigation: Home > Settings > User preferences

This menu item defines the basic settings for each user. These settings are stored under the active user profile and apply when working within this profile. When a user profile is called up (login user account), the relevant settings are loaded automatically. **See** User Management.

The following parameters can be defined:

Menu item	Explanation	Further Information
Languages	Defines the preferred display and keyboard language.	see [Languages ▶ Page 82]
Screen	Defines the brightness and the color scheme of the display	see [Screen ▶ Page 82]

7.5.1.1 Languages

Navigation: Home > Settings > User preferences > Languages

Select your preferred language for operating the terminal.

Factory setting: Generally, the language of the destination country (if available) or English is set.

The following parameters can be defined:

Parameter	Description	Values
Display language	Defines user-specific screen language.	English Deutsch Italiano Français Español Português Polski Magyar Český Русский 日本語 中文 한국어/조선말
Keyboard language	Defines user-specific layout of the Keypad.	English Deutsch Italiano Français Español Português Polski Magyar Český

7.5.1.2 Screen

Navigation: Home > Settings > User preferences > Screen

You can define the following parameters:

Parameter	Description	Values
Brightness: x1 %	Defines user-specific brightness of the display.	10...100 % (80 %)*
Color scheme	Defines user-specific display color scheme.	Blue* Green Orange Grey

* Factory setting

7.5.1.3 Sound

Navigation: Home > Settings > User preferences > Sound

You can define the following parameters:

Parameter	Description	Values
Sound	Activate / deactivate of audible feedback and adjust the Volume: x1 % . Audible feedback: <ul style="list-style-type: none">when tapping a button.upon measurement completed.when an error message appears.	OFF* ON 0...100 % (50 %)*

7.5.1.4 Password

Navigation: Home > Settings > User preferences > Password

In this menu item you can change the user password if it is activated by the administrator.

The following parameters can be defined:

Parameter	Description	Values
Password	Change an existing Password .	any

7.5.2 Instrument settings

Navigation: Home > Settings > Instrument settings

This menu item defines the basic settings for the instrument. The instrument settings apply to the entire system and therefore to all user profiles and applications.

The following parameters can be defined:

Menu item	Explanation	Further Information
Regional settings	Defines the settings of date & time, keypad and country options.	see [Regional settings ▶ Page 83]
Peripherals	Defines the configuration of printers and other devices.	see [Peripherals ▶ Page 84]
Network interfaces	Defines network connections.	see [Network interfaces ▶ Page 88]
Default settings	Defines the default settings of your instrument.	see [Default settings ▶ Page 86]
Company information	Defines company specific information.	see [Company information ▶ Page 87]
Touch screen adjustment	Adjusts the touch screen.	see [Touch screen adjustment ▶ Page 87]

7.5.2.1 Regional settings

Navigation: Home > Settings > Instrument settings > Regional Settings

This menu item defines the settings of date & time.

The following parameters can be defined:

Parameter	Description	Values
Configuration	Defines how the time is set on the instrument.	Manual* Automatic
Server	Defines the URL of the time server.	any

Time zone	Defines the time zone of the instrument.	Available time zones
Date	Sets the date of the clock of the instrument.	Day Month Year
Time	Sets the clock time of the instrument.	Hours Minutes
Date format	Defines the date format. D = Day M = Month Y = Year	D. MMM YYYY* MMM D YYYY DD.MM.YYYY MM/DD/YYYY YYYY/MM/DD YYYY-MM-DD
Time format	Defines the time format. M = Minutes	24:MM* 12:MM 24.MM 12.MM

* Factory setting

7.5.2.2 Peripherals

Navigation: Home > Settings > Instrument settings > Peripherals

In this menu item you can configure one printer and one host connection.

7.5.2.2.1 Workstations (MT-SICS)

The **MT-SICS** host connection (remote client) is enabled by default and only usable with the METTLER TOLEDO specific protocol MT-SICS.

MT-SICS commands and functions can be transmitted via the RS232 interface (COM1 port), the USB device interface or via Network. The use of the USB device interface requires the installation of a USB device driver on the computer, **see** [Installing USB device driver ▶ Page 19].

Commands and further information please refer to the Reference Manual **MT-SICS Interface Commands for Halogen Moisture Analyzers** downloadable from the internet.

▶ www.mt.com/hxhs

7.5.2.2.2 Connecting printers / EasyDirect Moisture

No printer is installed by default. To install a printer:

- The printer is powered on.
- The desired printer is properly connected to the terminal.

Note

Do not attempt to connect a printer to the drying unit!

1 Tap [**New...**]

➔ **Peripheral type** list appears.

2 Select device.

Supported devices from METTLER TOLEDO with preset parameters:

- **P-2x Strip Printer**
- **P-4x Strip Printer**
- **P-5x Strip Printer**
- **Local PCL printer**
- **Network PCL printer**
- **EasyDirect Moisture**

3 Select the device interface with which the strip printer or EasyDirect Moisture is connected.


4 Change the parameters if needed.

5 To store the settings, tap [**Save**].

6 To activate the interface, tap [**ON**].

➔ Status changes from **Disabled** to **Enabled**.

Note

- A printer or host connection can also be deleted.
- For strip printer settings **see** Recommended Printer Settings (Strip printer).
- For defining the printouts **see** Print and Export Management.
- Only one printer can be installed. To install another printer, you have to delete the old printer first.
- If EasyDirect Moisture is connected, the icon  can be used to perform a manual transfer.

Device interface: RS232

The following parameters can be defined:

Parameter	Description	Values
Device Name	Defines a name for the device.	any
Device Port	Defines the device port. COM1 : RS232 / SOU : USB Device (Driver required) Note It is possible to use an USB-to-Serial adapter. If such an adapter is connected, these devices are shown as e.g. SOU1 , SOU2 (SOU stands for serial over USB)	COM1* SOU
Baudrate	Defines the speed of the data transmission (data transfer rate / Baud rate).	1200 2400 4800 9600* 19200 38400 57600 115200
DataBits	Defines the number of data bits.	7 8*
Parity	Defines the variant of parity bit.	None* Odd Even
StopBits	Defines the stop bits of the transmitted data.	1 StopBit* 2 StopBits
Flow Control	Defines the type of flow control (Handshake).	None Xon/Xoff*

* Factory setting

Connecting USB strip printers

Strip printers connected over USB or with USB adapters need the following settings:

- **Device interface:** RS232C
- **Device Port:** SOUx
- **Baudrate:** 19200

Note

- If the printer is not powered on when adding it to the peripherals, the device port SOUx might not be visible.

Device interface: USB

The following parameters can be defined:

Parameter	Description	Values
Device Name	Defines a name for the device.	any

Note

A bar code reader can be connected to the USB port. With a connected bar code reader, bar codes can be added in a keyboard dialog.

Note

- Supported A4 Printer: OKI B411 USB
- Supported printer command language: PCL 3 or higher
- For strip printers check settings under [RS232 interfaces ▶ Page 85]

Device interface: Network

Parameter	Description	Values
Device Name	Defines a name for the device.	any
IP address	Defines the IP address of the printer. Default address*: PCL printer 192.168.000.004 Strip printer 192.168.1.100	Default address* any
Device Port	Defines TCP port on device for MT-SICS communication. Default EasyDirect Moisture : 8100 Default MT-SICS host: 8001 Default Strip printer: 9100	Default* 1024...65635
Port	Defines the printer's port. Note Usually the default value is used.	9100 * any

Note

Connecting **EasyDirect Moisture** over Ethernet does not require an IP address.

7.5.2.3 Default settings

Navigation: Home > Settings > Instrument settings > Default settings

7.5.2.3.1 Default languages

Navigation: Home > Settings > Instrument settings > Default settings > Default languages

The default language for operating the terminal can be changed. The default language has been defined with the function **Setup wizard** when the device was switched on for the first time.

The following parameters can be defined:

Parameter	Description	Values
Default display language	Defines default screen language.	English Deutsch Italiano Français Español Português Polski Magyar Český Русский 日本語 中文 한국어/조선말
Default keyboard language	Defines default layout of the keyboard.	English Deutsch Italiano Français Español Português Polski Magyar Český

7.5.2.3.2 Default screen settings

Navigation: Home > Settings > Instrument settings > Default settings > Default screen settings

The following parameters can be defined:

Parameter	Description	Values
Brightness: x1 %	Defines default brightness of the display.	10...100 % (80 %)*
Color scheme	Defines default display color scheme.	Blue* Green Orange Grey

* Factory setting

7.5.2.4 Shared directory

Navigation: Home > Settings > Instrument settings > Shared directory

In this menu item you can define a network folder.

The following parameters can be defined:

Parameter	Description	Values
Path	Defines the network location of the folder (e.g., //servername/sharedFoldername). Note <ul style="list-style-type: none">Support for: IP address or server nameThe shared folder on the network must have full access control.The path must not include subfolders.	any
Mapped folder name	Defines the name which will be shown in the file browser (e.g., MySharedFolder).	any
Password	Entry for the password needed for server login.	any
User name	Entry for the user name needed for server login.	any

Note

Software update from shared directory is not supported.

7.5.2.5 Company information

Navigation: Home > Settings > Instrument settings > Company information

In this menu item you can define optional specific company informations for using on printouts and reports.

The following parameters can be defined:

Parameter	Description	Values
Company name	Entry of the company name.	any
Department	Entry of the company department.	any
Instrument ID	Entry of the company specific instrument identification	any
Instrument location	Entry of the location of the instrument.	any
Instrument responsible	Entry of the name of the responsible person for the instrument.	any

7.5.2.6 Touch screen adjustment

Navigation: Home > Settings > Instrument settings > Touch screen adjustment

If the alignment of the touch-sensitive areas of the screen correspond not exactly with the position of the buttons e.g. after a software update was performed, then you can solve this error by executing this function.



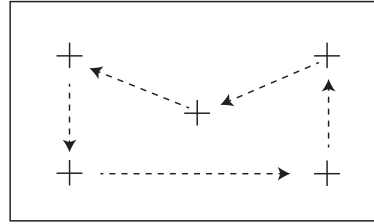
NOTICE

Damage to the touch screen due to pointed or sharp objects

- Operate the touch screen with your fingers.

- Menu **Instrument settings** is opened.
- 1 Choose **Touch screen adjustment** and tap **Start**.
 - ➔ Adjustment screen with a target circle appears.

- 2 Tap the center of the target until it moves to the next position on the screen. Tap the center of the target as accurately as possible and make sure not to touch any other locations on the screen and the fix key areas.
- 3 Repeat this procedure until a message appears (**New calibration settings have been measured**).
- 4 Tap the screen to confirm or wait for 30 seconds for canceling (timeout).
 - ➔ A message box appears.
- 5 To store the setting, tap **OK**.



7.5.2.7 Network interfaces

Navigation: Home > Settings > Instrument settings > Network interfaces

In this section you will find information how to define network connections and other terminal interfaces.

Menu item	Explanation	Further Information
Host name	Defines the host name of the instrument	see [Ethernet ▶ Page 88]
Ethernet	Activates and sets Ethernet connection.	see [Ethernet ▶ Page 88]

7.5.2.7.1 Host name

Navigation: Home > Settings > Instrument settings > Network interfaces > Host name

The host name identifies the instrument in a local network. If multiple devices are used, ensure that the host name of each instrument is unique. If necessary, contact the network administrator of your IT department or your IT support.

The following parameters can be defined:

Parameter	Description	Values
Host name	Defines the host name. The host name must be unique on a network. Default host name*: Model name and serial number of the instrument.	any

* Factory setting

7.5.2.7.2 Ethernet

Navigation: Home > Settings > Instrument settings > Network interfaces > Ethernet

Ethernet interface for connecting the instrument to a TCP/IP network. The most simple network can be implemented by connecting the instrument directly to the PC with a cross-over cable (RJ45 Socket). DHCP and fix IP addresses are supported.

Note

- We recommend to use the default setting DHCP (automatic network settings).
- Ensure that the host name of the instrument is unique, **see** [Host name ▶ Page 88].
- For installing and configuring an Ethernet interface you need to have basic knowledge of TCP/IP-based networks and of network technology in general. If necessary, contact the network administrator of your IT department or your IT support.

The following parameters can be defined:

Parameter	Description	Values
Configuration	Defines whether the settings are made automatically (dynamic, DHCP) or manually (static).	DHCP assignment Manual assignment
DHCP assignment	Dynamic Host Configuration Protocol to assign all necessary network parameters on this interface automatically (Dynamic assignment).	none

Manual assignment	Manually assign all the necessary network parameters on this interface. (Static assignment)	IP address Subnet
IP address	Defines the IP address of this instrument. Only settable when DHCP is disabled. Default address*: 192.168.002.100 The IP address unique numeric identifier for a device which participates on a network. If DHCP is enabled, the automatically assigned IP address is displayed.	Default address* any
Subnet	Defines the subnet mask within the ethernet interface is addressable. Only settable when DHCP is disabled. Default subnet mask*: 255.255.255.000	Default value* any
Default Gateway	Defines the Default Gateway of this instrument. Only settable when DHCP is disabled. Default address*: 192.168.002.001	Default address* any

* Factory setting

i Note

The addresses are written as four dot-separated decimal integers in the range from 0 to 255. Leading zeros need not be written.

7.5.3 Application settings

Navigation: Home > Settings > Application settings

The following parameters can be defined:

Menu item	Explanation	Further Information
Identifications management	Defines identifications and their use in order to comment measurements.	see [Identifications management ▶ Page 90].
Print and export management	Defines the default settings for the printouts.	see [Application settings ▶ Page 90].
Method selection	Selects the method	see Method selection.

7.5.3.1 Identifications management

Navigation: Home > Settings > Application settings > Identifications management

Identifications (ID) contain descriptive text for individual measurements, which enables samples to be easily allocated to specific tasks or customers. This feature allows you to define identifications in order to comment measurements, such as company id, id badge, id sample. In the ID panel on the work screen, the values (comments) can be entered or changed before measurement, **see** Work Screen. IDs have an impact on all measurements, regardless of methods. The IDs are included on printouts or can be exported to a PC.

Main menu	Submenu	Further information
Identifications usage	Identifications input	see below
	Clear input after measurement	
Identifications (x1)	no submenu	

The following parameters can be defined:

Parameter	Description	Values
Identifications input	Defines the method for entering comments. ON = activates ID panel on work screen. Free input = the IDs appear after tapping on the ID panel (work screen) for entries or changes of values (comments). Guided input = each ID is displayed individually in order of definition (ID1 to ID10) before measurement, to make entries or changes of values (comments).	OFF* ON Free input Guided input
Clear input after measurement	Defines the ID whose value (comment) is deleted after measurement.	OFF* ON ID selection: <input type="checkbox"/> <input checked="" type="checkbox"/>
Identifications (x1)	Defines general identifications in order to comment measurements. + = New identifications (max. 10 IDs, 1...20 characters) - = Remove identifications (selectable)	- +* any

* Factory setting

7.5.3.2 Print and export management

Navigation: Home > Settings > Application settings > Print and export management

The following parameters can be defined:

Menu item	Explanation	Further Information
Print management (Strip)	Defines the settings for printouts on strip printers.	see Print management.
Print management (A4)	Defines the settings for ISO A4 printouts on PCL printers.	see Print management.

7.5.3.2.1 Print management

Print management (Strip)


Navigation: Home > Settings > Application settings > Print and export management > Print management (Strip)

If a strip printer is connected and activated, results can be automatically printed out. The interim values are printed out in the pre-selected intervals and the final results are logged at the completion of the measurement. The printout contains information to the instrument, time, date as well as the method and results, depending of the protocol. The level of detail depends on the selected type of printout and the activated protocol items (settings or method), **see** Information on Printouts.

Note

- The definitions in this menu item are the default settings for the printouts. These parameters are displayed at every initialization of a Printout and can be modified again.
- The setting for printout language in this menu item has no impact on test or adjustment printouts, **see** Print and Output Settings.
- Not all languages are compatible with some printers, and also depending on the settings of the printer, **see** Recommended Printer Settings (Strip printer).
- For installing and defining a printer **see** [Peripherals ▶ Page 84].

The following parameters can be defined:

Parameter	Description	Values
Printout type	Selects a detailed printout or in a short form.	Standard* Short Custom 1 Custom 2
Printout language	Defines the language for general printouts.  Note No impact on test or adjustment printouts.	English Deutsch Italiano Français Español Português Polski Magyar Český
Print results automatically after measurement	Print results automatically after measurement if activated.	<input type="checkbox"/> (deactivated)* <input checked="" type="checkbox"/> (activated)
Include intermediate results to printout	Defines the time intervals at which intermediate results are transferred to the printer.	OFF* 10 s 30 s 1 min 2 min 10 min

* Factory setting

Customized printouts

With the options **Custom 1** and **Custom 2** the information that appear on the printout can be selected individually. The information that appear on the printout can be defined in the sub-option **Printout content**.

The following information for **Printout content** can be enabled/disabled or defined:

Parameter	Description	Values
Head	METTLER TOLEDO Halogen Moisture Analyzer Blank line	
S/N instrument and software	Type SNR (Drying unit) SNR (Terminal) SW(Drying Unit) SW(Terminal) Blank line	
User name	User name Blank line	
Company information	Company Department Instrument ID Instrument location Instrument responsible Blank line	
Adjustment info	Weight Adjustment Temperature Adjustment Blank line	
Method parameters	Method Name Drying Prog Drying Temp Switch Off SOC delay Display mode Start Weight Start Weight Tol Weigh-in aid Control limits Resolution Start Mode Free factor Blank line	
ID's	ID's Blank line	
Measurement	Inclinometer status Start weight Intermediate results Total time Dry Weight Moisture Content Factor Offset Measured Result Measurement status Note Blank line	
Signature 1	<input type="checkbox"/> (deactivated)* <input checked="" type="checkbox"/> (activated)	
Signature 2	<input type="checkbox"/> (deactivated)* <input checked="" type="checkbox"/> (activated)	

Note

The information **Date / Time** and the end result are always activated and appear at the end of the printout. The settings for the option **Intermediate results** are still set but do only appear on short and standard printout.

Print management A4

Navigation: Home > Settings > Application settings > Print and export management > Print management (A4)

Note

If a PCL printer is connected and activated, results can be manually or automatically printed out on ISO A4 paper size.

Note

- The definitions in this menu item are the default settings for the printouts. These parameters are displayed at every initialization of a printout and can be modified again.
- The setting for printout language in this menu item has no impact on test or adjustment printouts, **see** Print and Output Settings.
- For installing and defining an A4 printer, **see** [Peripherals ▶ Page 84].

The following parameters can be defined:

Parameter	Description	Values
Printout language	Defines the language for general printouts. Note No impact on test or adjustment printouts.	English Deutsch Italiano Français Español Português Polski Magyar Český Русский 日本語 中文 한국어/조선말

Print results automatically after measurement	Print results automatically after measurement if activated.	<input type="checkbox"/> (deactivated)* <input checked="" type="checkbox"/> (activated)
---	---	---

See also

 Peripherals ▶ Page 84

7.5.3.2.2 Recommended printer settings (strip printer)

Printer

Model	Char Set	Auto baudrate	Balance feature
P-2x	IBM/DOS	Off	Disable
P-52RUE	IBM/DOS ¹⁾ — ²⁾	—	—
P-56RUE / P-58RUE	IBM/DOS ¹⁾ — ²⁾	—	—

Instrument printer

Model	Baudrate	Bit / Parity	Stop Bits	Handshake
P-2x	9600	8/NO	1	Xon/Xoff
P-56RUE / P-58RUE	9600 — ²⁾	8/NO — ²⁾	1 — ²⁾	Xon/Xoff — ²⁾
P-52RUE	9600 — ²⁾	8 / None — ²⁾	1 — ²⁾	XOn/XOff — ²⁾

¹⁾ Printer settings not available.


²⁾ Value applicable for Brazilian Portuguese.

7.5.3.2.3 Export management

Navigation: Home > Settings > Application settings > Print and export management > Export management

If a PC, local network or a storage device is connected and activated, final results can be automatically exported. The export contains information about the instrument, time, date, method, result as well as the graphical curve.

The following parameters can be defined:

Parameter	Description	Values
File name prefix	Defines the name of the new data file.	any
File type	Defines the type of the data file.	CSV* PDF
Printout language	Defines the language for general printouts.  Note No impact on test or adjustment printouts.	English Deutsch Italiano Français Español Português Polski Magyar Český Русский 日本語 中文 한국어/조선말
Export management	Export results automatically after measurement if activated.	Selection: <input type="checkbox"/> * <input checked="" type="checkbox"/>
Export target	Defines the destination of data transfer.	Peripheral Network (SFTP)

* Factory setting

Export target: Peripheral

Parameter	Description	Values
Location	Finds the location on the storage device.	Browse and select

* Factory setting

Export target: Network (SFTP)

For data transfer over a local network, the Secure File Transfer Protocol SFTP is used. The receiving server is defined by entry of the appropriate IP address. The SFTP server needs to be in the same subnet as the device (according to Ethernet settings, **see** [Ethernet ▶ Page 88]). If necessary, contact the network administrator of your IT department or your IT support.

Parameter	Description	Values
IP address	Defines the IP address of the receiving server.	any
Subdirectory	Defines to which subdirectory on the SFTP server the data is stored.	any
Port	Defines the Port for communication with the server. Note Usually the default value is used.	22* any
Password	Entry for the password needed for server login.	any
User name	Entry for the user name needed for server login.	any

* Factory setting

7.5.3.3 Method selection

Navigation: Home > Settings > Application settings > Method selection

In this menu, certain methods for different users can be defined. In the dialogue screen **Select methods for user** a list of users appears. A user can be selected and certain methods can be activated/deactivated. With the button [**Copy from user**] that can be found in the action bar, the method selection of one user can be copied and used for another user.

NOTICE

Access to the section **Method selection** can be defined in the user access rights.

7.5.4 Quality management

Navigation: Home > Settings > Quality management

In this menu you can define all settings related to the adjustment and Test of the instrument. Periodic adjustments or tests ensure accurate measurement results.

The following parameters can be defined:

Menu item	Explanation	Further Information
Test / Adjustment settings	Defines the equipment for adjusting and the workflow for testing or adjusting.	see [Test / Adjustment settings ▶ Page 94]
QuickPredict	Activates the QuickPredict function for a method and defines the specifics for its use.	see [QuickPredict ▶ Page 43]

7.5.4.1 Test / Adjustment settings

Navigation: Home > Settings > Quality management > Test / Adjustment settings

This section describes all the menu options available for defining the parameters relating to the adjustment and testing of your instrument.

For performing test and adjustments **see** [Test/Adjust ▶ Page 72].

Main menu	Submenu	Further information
Equipment	Test weight1	see [Equipment ▶ Page 95]
	Test weight2	
	Temperature kit	
	External humidity sensor	
Test settings	Weight test - external	see [Test settings ▶ Page 96]
	Temperature test	
	SmartCal x1 test	
Adjustment settings	Weight adjustment - external	see [Adjustment settings ▶ Page 97]
	Temperature adjustment	
Print and output settings	Printout language	see [Print and output settings ▶ Page 97]
	Print results automatically after test/adjustment	

7.5.4.1.1 Equipment

Navigation: Home > Settings > Quality management > Test / Adjustment settings > Equipment

This menu item defines the equipment which is required for the following tasks:

- Weight test
- Weight adjustment
- Temperature test
- Temperature adjustment
- SmartCal test (optional)

Test Weight 1 and Test Weight 2

The following parameters can be defined:

Parameter	Description	Values
Test weight name	Defines a name that is in an easily recognizable form as an alternative to the ID. A name should be unique and unambiguous.	any
Nominal weight	Defines the nominal weight in grams. For adjustments, the weight must be at least 30 g.	0.100...150.000 g (100 g)*
Identification	Defines the identification (ID) of the weight. The ID of the weight is provided on the Weight Certificate. The ID may contain your company specific identification number. This ID is stored in the adjustment or test history and shows up on the printouts.	any

* Factory setting

Temperature Kit

For performing temperature adjustment or temperature test, you need the optional temperature kit, **see** Accessories and Spare Parts.

The following parameters can be defined:

Parameter	Description	Values
Temperature kit name	Defines a name that is in an easily recognizable form as an alternative to the ID. A name should be unique and unambiguous.	any
Identification	Defines the identification (ID) of the Temperature kit. The ID is provided on the Certificate. The ID may contain your company specific identification number. This ID is stored in the adjustment or test history and shows up on the printouts.	any

7.5.4.1.2 Test settings

Navigation: Home > Settings > Quality management > Test / Adjustment settings > Test settings

Weight test external

The following parameters can be defined:

Parameter	Description	Values
Test weight	Selects the predefined Test weight . Test weight 1 / Test weight 2 = defined in the menu item Equipment	Test weight 1 Test weight 2
Tolerance	Defines the measuring tolerance of the weight.	0.001...0.100 g (0.001 g)*

* Factory setting

Temperature test

The following parameters can be defined:

Parameter	Description	Values
Temperature kit	Shows the name of the Temperature kit which was defined in the menu item Equipment .	none
Temperature 1	Enables or disables the lower test temperature.	OFF ON (100 °C)
Tolerance	Defines the tolerance of the test temperature.	1...5 °C (3 °C)*
Temperature 2	Enables or disables the upper test temperature.	OFF ON (160 °C)
Tolerance	Defines the tolerance of the test temperature.	1...5 °C (3 °C)*


* Factory setting

SmartCal test

Note

There are 4 fixed SmartCal methods and 2 customizable SmartCal methods. All 6 methods are activated as default values but the methods can individually be enabled or disabled.

The following parameters can be defined:

Parameter	Description	Values
Lot number input	Defines the type of input for the Lot number. The Lot number can be found on the product label. Free input: Input is not required Guided input: Input is required.	ON* OFF Free input Guided input *
Clear lot number after measurement	Enabled or disabled the function for clearing the Lot number after test measurement.	<input checked="" type="checkbox"/> (enabled) <input type="checkbox"/> (disabled)*
Use cSmartCal	Sets the control limits to the correct values for using of cSmartCal.	<input checked="" type="checkbox"/> (enabled) <input type="checkbox"/> (disabled)*
Temperature	Defines the test temperature.  Note If temperature in customer SmartCal methods is set, the control limits will be reset to default (off).	70 °C 100 °C 130 °C 160 °C Custom temperature... 40 °C...230 °C (105 °C*)

Control limits	<p>Defines the control limits. The values of the control limits are in dependence of the temperature setting. The recommended values are automatically set. The values can also be changed.</p> <p>The recommended values are (lower - upper limits): 70 °C: 3.2-4.4 %MCN (cSmartCal: 3.3 - 4.3 %MCN) 100 °C: 5.2-6.4 %MCN (cSmartCal: 5.3 - 6.3 %MCN) 130 °C: 7.4-8.8 %MCN (cSmartCal: 7.5 - 8.7 %MCN) 160 °C: 9.9-11.7 %MCN (cSmartCal: 10.0 - 11.6 %MCN)</p> <p>Note If temperature in customer SmartCal methods is set, the control limits will be reset to default (off).</p>	values see explanation I OFF
----------------	--	---------------------------------

* Factory setting

7.5.4.1.3 Adjustment settings

Navigation: Home > Settings > Quality management > Test / Adjustment settings > Adjustment settings

Weight adjustment external

The following parameters can be defined:

Parameter	Description	Values
Test weight	Selects the predefined Test weight . Test weight 1 / Test weight 2 = defined in the menu item Equipment	Test weight 1 I Test weight 2

Temperature adjustment

The following parameters can be defined:

Parameter	Description	Values
Temperature kit	Shows the name of the Temperature kit which was defined in the menu item Equipment .	none

7.5.4.1.4 Print and output settings

Navigation: Home > Settings > Quality management > Test / Adjustment settings > Print and output settings

This menu item allows you to set specific printer functions for test or adjustment printouts.

- The setting for printout language in this menu item has impact on test or adjustment printouts only. For setting the general printout language, **see** [Print and export management ▶ Page 91].
- Not all languages are compatible with any printer, and also depending on the settings of the printer, **see** Recommended Printer Settings (Strip printer).
- For installing and defining a printer **see** [Peripherals ▶ Page 84].

The following parameters can be defined:

Parameter	Description	Values
Printout language	Defines the printout language for test or adjustment printouts.	English I Deutsch I Italiano I Français I Español I Português I Polski I Magyar I Český

Print results automatically after test/adjustment	Activated or deactivated function.	<input checked="" type="checkbox"/> (enabled) <input type="checkbox"/> (disabled)*
---	------------------------------------	---

* Factory setting

7.5.4.2 QuickPredict

Navigation: Home > Settings > Quality management > QuickPredict

In this menu item, the QuickPredict function is activated or deactivated.

The following parameters can be defined:

Parameter	Description	Values
QuickPredict	Activates and deactivates the QuickPredict function on the instrument (only alterable with valid QuickPredict license).	ON* OFF

* Factory setting

7.5.5 User management

Navigation: Home > Settings > User management

The following parameters can be defined:

Menu item	Explanation	Further Information
Groups	Defines groups and their access rights.	see Groups
Users	Defines the user accounts.	see [Users ▶ Page 99]
Account policies	Set default startup user. Activate Auto lock-out.	see [Account policies ▶ Page 100]

7.5.5.1 Groups

Navigation: Home > Settings > User management > Groups

In this menu the access rights of the different user groups can be defined.

The following groups with different pre-defined access rights and group properties are available:

- **Administrators**
- **Supervisors**
- **Quality Managers**
- **Operators**

Note

The available access rights are different for each user group. Some parameters are not available for certain groups.

Group properties

Parameter	Description
Group name	Defines the group name.
Description	A description for the group can be added.

Access rights

Parameter	Description
User preferences	Access to the section Settings > User preferences
Instrument settings	Access to the section Settings > Instrument settings

Edit shortcuts	Access to the shortcut management. The button Edit shortcuts... in the section Measurement is enabled.
Method Definition	Access to the section Method definition
Select methods	The button Select methods... is enabled in the section Measurement
Application settings	Access to the section Settings > Application settings
Run tests	Access to the section Test/Adjust > Tests
Run adjustments	Access to the section Test/Adjust > Run adjustments
Quality management	Access to the section Settings > Quality management
User management	Access to the section Settings > User management
System and data management	Access to the section Settings > System and data management

Group members (x1)

In this section the group members can be defined.

Modified on

This sections shows the date of the last modification.

Creating a new group

- Menu **Groups** selected.
- 1 Tap [**New...**].
- 2 Enter the name of the new group and confirm with [**OK**]. Name should be unique and unambiguous.
- 3 Edit the properties of the new group.

Deleting a group

- Menu **Groups** selected.
- 1 Select the group you wish to delete.
- 2 Tap [**Delete**]. Confirm the message box.

i Note

The group **Administrators** as well as groups with assigned users cannot be deleted.

Editing a group

- Menu **Groups** selected.
- 1 Select the group you wish to edit.
- 2 Edit the group parameters. Store the settings with [**Save**].

i Note

The maximum number of users is 30 and the maximal number of groups is 10.

i Note

If password protection is mandatory requirement, the access right **User Preferences** must be disabled.

7.5.5.2 Users

Navigation: Home > Settings > User management > Users

In this menu you can create, edit, or delete user accounts.

NOTICE

Note down your administrator password and keep it in a safe place. If you forgot the password for the default administrator access, it is not possible to regain access to the moisture analyzer. In this case contact your METTLER TOLEDO representative.

Creating a new user account

Note

The user account name must be unique.

- Menu **Users** selected.
- 1 Tap [**New...**].
- 2 Enter the name of the new user account and confirm with [**OK**].
- 3 Edit the properties of the new user account.

Editing an existing user account

- Menu **Users** selected.
- 1 Select the user account you wish to edit.
- 2 Select menu **User properties**.
- 3 Edit the user account parameters.
- 4 To store the settings, tap [**Save**].

The following parameters can be defined:

Parameter	Description	Values
User name	Name of the user account. Name should be unique and unambiguous.	any
Full name	Full name of the user (optional).	any
Description	Descriptive text for the user account (optional).	any
Account active	Activate or deactivate the user account. Inactive user accounts are not available for login.	<input type="checkbox"/> (deactivated)* <input checked="" type="checkbox"/> (activated)
Password	Create a new or change an existing password. OFF = no password protection.	OFF* ON any
Group	Assign the user account to a particular group.	available groups

* Factory setting

Note

- To view the date and time of last modification made to a user account, select the respective account and tap [**History**].
- If password protection is mandatory requirement, the access right **User Preferences** must be disabled, **see** Groups.

Deleting a user account

- Menu **Users** selected.
- 1 Select the user account you wish to delete.
- 2 Tap [**Delete**]. Confirm the message box.

Note

You cannot delete the Administrator account or the account that is currently active.

7.5.5.3 Account policies

Navigation: Home > Settings > User management > Account policies

The following parameters can be defined:

Parameter	Description	Values
Default startup user	Select the default user account for login at startup.	OFF ON* available user accounts
Auto lock-out	Locks the screen after the defined minutes of inactivity.	OFF* ON 1... 99 minutes

* Factory setting

Default startup user

In this menu you can set the default startup user.

Note

If a non-standard user logs out, the default startup user profile is automatically activated.

Auto lock-out

In this menu you can activate the automatic lock-out of users after a period of inactivity.

Note

After being locked out, the user has to log in again. During measurements the **Auto lock-out** function is always inactive and the screen will not be locked.

7.5.6 System and data management

Main menu	Submenu	Further information
Result management	Auto-delete	see Result management
Export / Import	Export settings and methods to external storage devices...	see [Export / Import ▶ Page 102]
	Import settings and methods from external storage device...	
Back up / Restore	Back up your system on external storage device...	see [Back up / Restore ▶ Page 103]
	Restore your system from selected back up...	
Export event logs	Export all event information	see [Export event logs ▶ Page 103]
Reset	no submenu	see [Reset ▶ Page 104]
Update	Update your instrument software	see [Update ▶ Page 105]

Note for using USB storage device

- Supported formatting: FAT, FAT32, exFAT
- Special characters in file names are only supported if the USB storage device is formatted as exFAT.
- The USB storage device must be fully inserted.
- Make sure that the write protection is deactivated if available.

7.5.6.1 Result management

Home > Settings > System and data management > Result management

This menu item allows you to manage your results. The Auto-delete functionality prevents the instrument from filling up with old measurement results by removing them. We advise you to use this function to improve the performance of your Moisture Analyzer. Is the Auto-delete functionality activated, you can define the number of stored results with the result limit.

NOTICE

The default value of the result limit is 1000. If there are more than 1000 results on your Moisture Analyzer, the system automatically deletes the oldest results. Make sure that important data will periodically be saved on an external storage.

You can define the following parameters:

* Factory setting

Parameter	Description	Values
Auto-delete	Activates the auto-delete functionality and defines the maximal number of stored result via Result limit .	OFF ON* 1...3000 (1000)*

7.5.6.2 Export / Import

Navigation: Home > Settings > System and data management > Export / Import


This menu item allows you to export or import settings and methods to or from an external storage device. These data can be transferred to other instruments of the same type and can be useful to configure multiple instruments with the same specifications.

Note

- Software Version must be equal.
- Data transfer between different Moisture Analyzer models (e.g. from HX204 to HS153 or HC103) is limited. Features that are not supported by a model and data resulting from these features cannot be imported.
- Export / import of methods can also be performed from the menu **Method Definition**.

Export settings and methods to external storage devices...

The following parameters can be defined:

Parameter	Description	Values
File name	Defines the name of the new data file.	any
Location	Finds the location on the storage device.	Browse and select
Export selection	Defines the data for export.  Note <ul style="list-style-type: none"> • User management and user preferences contains: User management settings, user preferences • Instrument, application and QM settings contains: Instrument settings, application settings, quality management settings 	All* <input checked="" type="checkbox"/> User management and user preferences <input checked="" type="checkbox"/> Instrument, application and QM settings <input checked="" type="checkbox"/> Methods (x1)

* Factory setting

- An external storage device is connected e.g. memory stick.
- Settings are made.
- To start, tap [**Export**].
To abort, tap [**Cancel**].

Import settings and methods from external storage device...

The following parameters can be defined:

Parameter	Description	Values
Import from file	Defines the data to be imported.	Browse and select
Location	Shows the location of the import file.	–
Import selection	Defines the data for import.	All* <input checked="" type="checkbox"/> User management and user preferences <input checked="" type="checkbox"/> Instrument, application and QM settings <input checked="" type="checkbox"/> Methods (x1)

* Factory setting

- Import settings and methods from external storage devices – is selected.
 - An external storage device is connected e.g. memory stick.
- 1 Tap **Browse and select**
 - ➔ **Import from file** appears.
 - 2 Select Device and import file.
 - ➔ Full menu of **Import settings and methods from external storage device...** appears.
 - 3 Tap **Import selection** and select the data for import if needed.

- 4
 - To start, tap the **Import** button and follow the instructions in the message window.
 - To abort, tap [**Cancel**].

7.5.6.3 Back up / Restore

Navigation: Home > Settings > System and data management > Back up / Restore

This menu item allows you to create a recovery point of the system and to store them on an external storage device. We advise you to create a recovery point of the system regularly. So you are able to restore the system with all data in fault.

Note

- After restoring, the system is in backup status. That means, that newer data such as settings, methods or results are lost.
- Restore is only possible on the same instrument as the back up was carried out.

Backup

The following parameters can be defined:

Parameter	Description	Values
File name	Defines the name of the new data file.	any
Location	Finds the location on the storage device.	Browse and select

- An external storage device is connected e.g. memory stick.
 - **Back up your system on external storage device...** – is selected.
- 1 Define the name of the new data file.
 - 2 Define the location on the storage device.
 - 3 To confirm, tap **OK**.
 - 4 To start, tap **Backup**.
To abort, tap **Cancel**.

Restore

The following parameters can be defined:

Parameter	Description	Values
Restore from file	Finds the location on the storage device and selects the file for restoring.	Browse and select

- **Restore your system from selected back up...** – is selected.
 - An external storage device is connected e.g. memory stick.
- 1 Tap **Restore from file... (Browse and select)**.
 - ➔ Storage device appears.
 - 2 Select the file for restoring.
 - 3 To start, tap **Restore**.
To abort, tap **Cancel**.
 - ➔ Confirmation window appears.
 - 4 Confirm with **Restore**.
 - ➔ The system will restore the data and then perform a restart. Wait until the system has completely started up again.

7.5.6.4 Export event logs

Navigation: Home > Settings > System and data management > Export event logs

This menu item allows you to export a log file (Zip format) with all relevant data to an external storage device. These data can be used for example, to support METTLER TOLEDO for troubleshooting.

The following parameters can be defined:

Parameter	Description	Values
File name	Defines the name of the new data file.	any
Export target	Defines the destination of data transfer.	Peripheral I Network (SFTP)

Export target: Peripheral

Parameter	Description	Values
Location	Finds the location on the storage device.	Browse and select

* Factory setting

Export target: Network (SFTP)

For data transfer over a network (Ethernet) the Secure File Transfer Protocol SFTP is used. The receiving server is defined by entry of the appropriate IP address. If necessary, contact the network administrator of your IT department or your IT support.

Parameter	Description	Values
IP address	Defines the IP address of the receiving server.	any
Subdirectory	Defines to which subdirectory on the SFTP server the data is stored.	any
Port	Defines the Port for communication with the server. Note Usually the default value is used.	22* any
Password	Entry for the password needed for server login.	any
User name	Entry for the user name needed for server login.	any
File type	Defines the type of the data file.	CSV* PDF

* Factory setting

7.5.6.5 License manager

Navigation: Home > Settings > System and data management > License manager

This menu item shows and manages embedded software licenses.

The following parameters can be defined:

Parameter	Description	Values
QuickPredict license	Input field for the Short Activation Code (SAC) to activate the QuickPredict license.	any

* Factory setting

See also

[Activating QuickPredict](#) ▶ Page 53

7.5.6.6 Reset

Navigation: Home > Settings > System and data management > Reset

This menu item allows you to reset the Instrument to factory settings. Date, time, weight and temperature adjustments/history are not affected.



NOTICE

Data loss after system reset.

After resetting, the instrument is in factory default state. All data such as settings, methods or results is lost.

- Save the data on an external storage device before you reset the instrument, **see** [Export / Import ▶ Page 102] and [Back up / Restore ▶ Page 103]

The following parameters can be defined:

Parameter	Description	Values
Reset	Resets the instrument to factory settings.	none

7.5.6.7 Update

Navigation: Home > Settings > System and data management > Update

The Update menu item is only used during the software update process, **see** [Updating the software ▶ Page 111].

Note

This function is not available on approved instruments.

7.5.7 Help and tutorials

The function **Instrument tutorial** automatically appears when the function **Setup wizard** is finished.

8 Maintenance

To guarantee the functionality of the moisture analyzer and the accuracy of the results, a number of maintenance actions must be performed by the user.

8.1 Maintenance tasks

Maintenance action	Recommended interval	Remarks
Cleaning	Depending on the degree of pollution or your internal regulations clean the instrument: <ul style="list-style-type: none">• After every use• After change of sample	see chapter "Cleaning"
Performing routine tests (Weight test, temperature test, SmartCal test)	<ul style="list-style-type: none">• After cleaning• After a software update	see chapter "Test"
Performing adjustments (weight adjustment, temperature adjustment)	<ul style="list-style-type: none">• After changing the location• If a test indicates that an adjustment is needed	see chapter "Adjustments"
Replacing the dust filter (if used)	<ul style="list-style-type: none">• Depending on the degree of pollution	see chapter "Replacing the dust filter"
Replacing the power line fuse	<ul style="list-style-type: none">• If the fuse is blown	see chapter "Replacing the power line fuse"
Updating the software	<ul style="list-style-type: none">• If recommended by METTLER TOLEDO	see chapter "Updating the software"

8.2 Cleaning



WARNING

Death or serious injury due to electric shock

Contact with parts that carry a live current can lead to injury and death. If the instrument cannot be shut down in an emergency situation, people can be injured or the instrument can be damaged.

- Disconnect the instrument from the power supply before cleaning or performing other maintenance work.



CAUTION

Burns due to hot surfaces

The interior parts of the heating module as well as the parts in the sample chamber can reach temperatures that can cause injuries if touched.

- Wait until the heating module has cooled down completely before performing any maintenance task.



NOTICE

Damage to the instrument due to inappropriate cleaning methods

If liquid enters the housing, it can damage the instrument. The surface of the instrument can be damaged by certain cleaning agents, solvents, or abrasives.

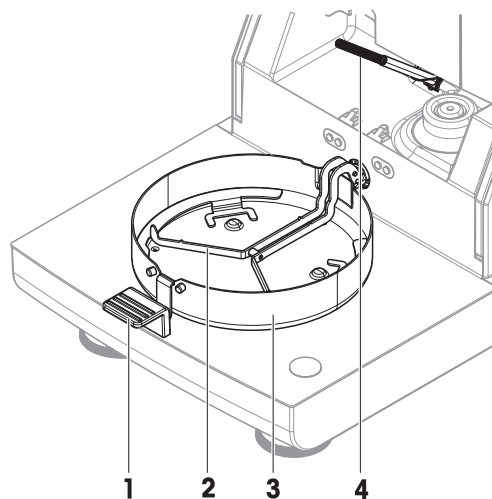
- 1 Do not spray or pour liquid on the instrument.
- 2 Only use the cleaning agents specified in the Reference Manual (RM) of the instrument.
- 3 Only use a lightly moistened, lint-free cloth or a tissue to clean the instrument.
- 4 Wipe off any spills immediately.

Protective equipment:

- Gloves
- Goggles

8.2.1 Sample chamber

- Sample chamber is open.
- 1 Remove the sample pan handler (1), the sample pan holder (2) and the draft shield (3) for cleaning.
 - 2 Carefully remove any deposits from the black temperature sensor (4).



8.2.2 Heating module



CAUTION

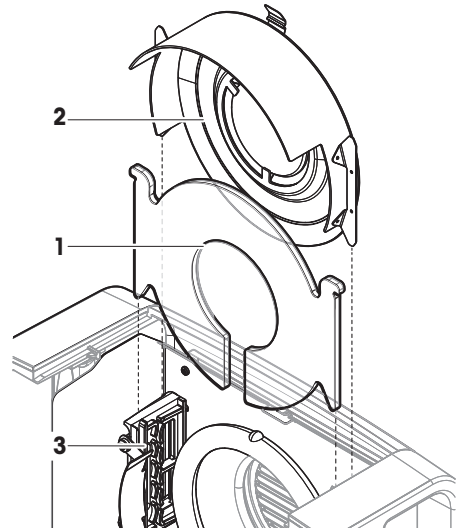
Burns due to hot surfaces

The round halogen lamp can reach temperatures that can cause injuries if touched.

- 1 Do not remove the halogen lamp.
- 2 Wait until the heating module has cooled down completely before cleaning.
- 3 Remove any splashes, deposits, or spots from the halogen lamp with a mild organic solvent such as ethanol.

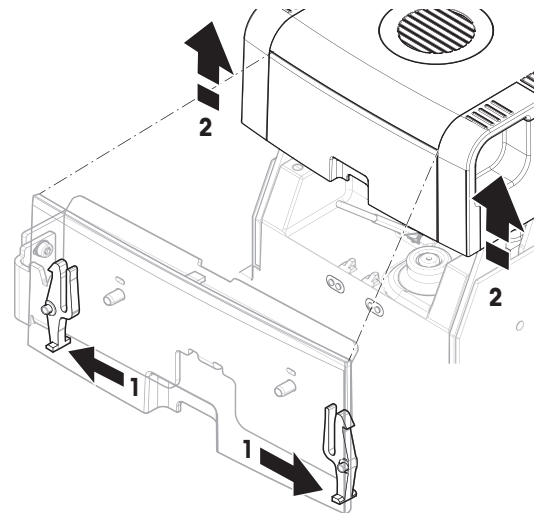
Overview

- 1 Protective glass
- 2 Reflector with inspection window glass
- 3 Halogen lamp



Opening heating module for cleaning

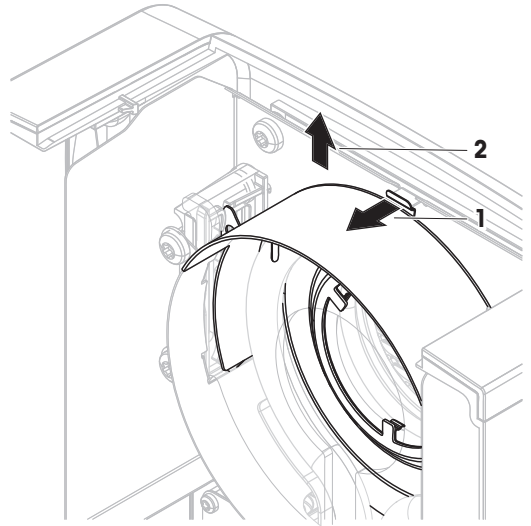
- Sample chamber is open.
- 1 Inside, there is a locking device on each side. Push both outwards (together) for unlocking (1). Do not hold the module while unlocking it.
 - ➔ The upper part has been unlocked on both sides.
 - 2 Open the heating module (2).



Removing reflector with inspection window glass for cleaning

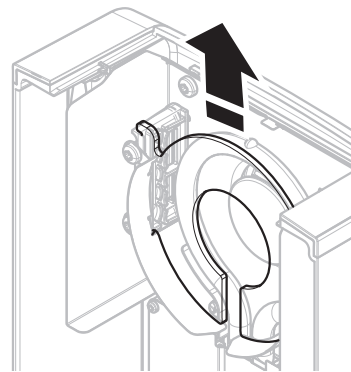
- 1 To unlock, pull the spring clip (1) forwards.

- 2 Pull out the reflector (2) upwards off the bracket.



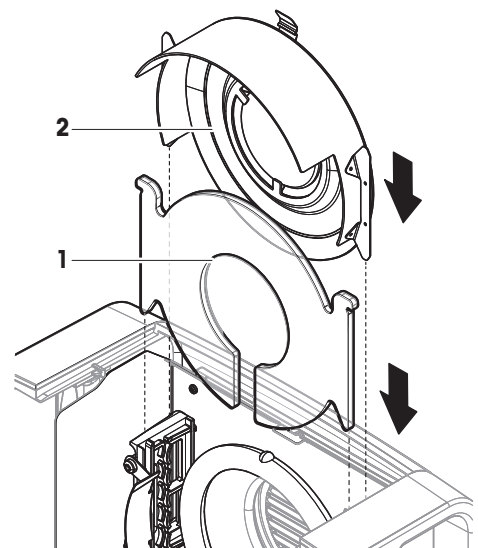
Removing protective glass for cleaning

- Reflector is removed.
- Pull out the protection glass upwards off the bracket.



Reassembling after cleaning


- All parts are cleaned.
- 1 Insert the protective glass (1).
- 2 Insert the reflector with inspection window glass (2) (until it clicks). The lamp must be located in front of the reflector. Do not touch the lamp with your fingers.
- 3 Close the heating module (until it clicks).



8.2.3 Fan grill

The air inlet of the fan is located at the rear of the instrument and its exterior should be cleaned from time to time to free it from any dust deposits.

8.2.4 Putting into operation after cleaning

- 1 Reassemble the moisture analyzer.
 - 2 Connect the moisture analyzer to the power supply.
 - 3 Press  to switch on the moisture analyzer.
 - 4 Check the level status, level the moisture analyzer if necessary.
 - 5 Respect the warm-up time specified in the "Technical Data".
 - 6 Perform a routine test according to the internal regulations of your company. METTLER TOLEDO recommends performing a SmartCal test after cleaning the balance.
- ➔ The moisture analyzer is ready to be used.

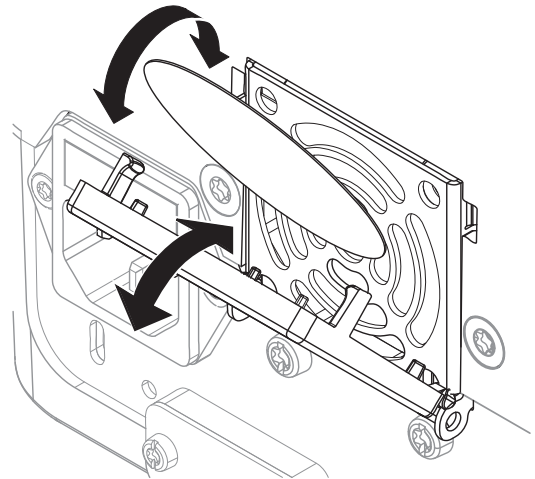
See also

 Test/Adjust ▶ Page 72

8.3 Replacing the dust filter

If you use a dust filter for your Moisture Analyzer, check the filter pollution at regular intervals. For replacement filters **see** Accessories and Spare Parts.

- 1 Open the filter lid.
- 2 Replace the dust filter.



8.4 Replacing the power line fuse




NOTICE

Damage due to faulty fuse handling

Using the wrong fuse or false handling of the fuse can lead to irreparable damage on the instrument.

- 1 Only use fuses of the correct type and rated value.
- 2 Do not short-circuit (bridge) the fuse.

The power line fuse is located on the back of the drying unit. To change the fuse, proceed as follows:

- 1 Pull out the power cord. 

- 2 Slide out the fuse holder (1) with a suitable tool such as a screwdriver.
- 3 Remove the fuse (3) and check its condition.
- 4 If the fuse is blown, replace the fuse with one of the same type and the same rated value.

Note

A spare fuse is located in the holder (2).

8.5 Updating the software

METTLER TOLEDO is constantly improving its instrument software to make the handling of its instruments more comfortable and smoother. The current software versions can be downloaded online and installed by the user to benefit from the improvements quickly and easily.

The firmware made available on the Internet has been developed and tested by Mettler-Toledo GmbH using processes that meet the guidelines of ISO 9001. Mettler-Toledo GmbH does not, however, accept liability for consequences that might arise from using the firmware.



NOTICE

Data loss during software installation.

During the installation of the software, data such as settings, methods or results can get lost. This is also the case if the installation fails.

- Before starting a software installation, create a backup file of the current system on an external storage device.

Search for software:

▶ www.mt.com/moisture-software

Update procedure

- Backup of the current data is created, **see** [Back up / Restore ▶ Page 103]
 - Recent software update is downloaded and stored on an external device, e.g., USB storage device.
 - Administrator rights are active.
- 1 Insert device with software for update into its respective port.
 - 2 Wait until the external device is recognized by the instrument.
 - 3 Select **Home > Settings > System and data management > Update**. If **Update** is not visible check if administrator rights are active. If you have an approved version, contact your support representative.
 - ➔ **Update** screen appears.
 - 4 Select the device on which the software is stored.
 - 5 Confirm with [**Update**] and wait until the software update is completely finished. Do not remove the device before the instrument has completely restarted.
 - ➔ The instrument reboots.
 - ➔ A message appears: **Operating system is up to date. Update instrument software?...**
 - 6 Confirm with [**Update**].
 - 7 Wait until the system returns to the home screen.

Software downgrade

It is not recommended to downgrade the software. However, in case of a setup that requires a software downgrade in order to work, please observe the following safety instructions.



NOTICE

Data loss during software downgrade




During a downgrade of the software all device data such as drying methods, results, SmartCal history, and settings will be removed.

- Only let a service technician perform a software downgrade.

9 Troubleshooting

Possible errors with their cause and remedy are described in the following chapter. If there are errors that cannot be corrected through these instructions, contact METTLER TOLEDO.

9.1 Error messages

Error message	Possible cause	Diagnostic	Remedy
Overload 	Overload - the weight on the sample pan exceeds the weighing capacity of the balance.	–	Reduce the weight of the sample.
Underload 	Underload - the sample pan holder is missing.	Check.	Insert the sample pan holder. If needed, reboot the system by disconnecting and reconnecting the power supply.
Blinking zeros 	The balance is out of the zero range. When the instrument was switched on or upon zeroing, one or more limits were exceeded. The usual reason for this is when there is a weight on the weighing pan when the balance is switched on.	Check if a weight is on the sample pan.	Remove the weight and retry.
"Unhandled exception caught in main thread."	Startup problem on terminal.	–	Download and install the appropriate software. See [Updating the software ▶ Page 111].
"No sensor connected."	The communication between sensor and terminal could not be established properly.	<ul style="list-style-type: none"> • Check the cable between drying unit and terminal. • Make sure that the drying unit is still running and responding. 	Properly connect cable between drying unit and terminal.
"Sensor connection lost!"	More than 5000 measurements have been stored on the memory.	With software V2.11 and earlier, this caused the sensor to lose connection.	Update the software to V2.12 or later, see [Updating the software ▶ Page 111]

Error messages shown when using QuickPredict

Error message	Possible cause	Diagnostic	Remedy
Prediction pending No prediction possible at the moment.	Current prediction is outside the expected moisture value.	–	Make sure there is no environmental influence on the measurement.
	Current prediction is too unreliable.		
	Current drying curve differs too far from reference curves.		

Error message	Possible cause	Diagnostic	Remedy
No prediction possible (x) No prediction possible anymore for this measurement.	Reference database results are not repeatable.	—	Repeat the measurement and ensure repeatability by: <ul style="list-style-type: none"> • Always preparing the sample in the exact same way. • Avoiding any environmental influence.
	Drying curve is incompatible with the reference drying curves.	—	Make sure the sample is prepared in the exact same way as the reference samples and repeat the measurement. Repeat the measurement and avoid any temperature fluctuations.
No prediction possible (2) No prediction possible anymore for this measurement.	Too many spikes in the drying curve.	Check the drying curve for spikes.	Repeat the measurement and avoid any vibrations.

9.2 Error symptoms

Error symptom	Possible cause	Diagnostic	Remedy
Moisture analyzer cannot be switched on.	<ul style="list-style-type: none"> • The power supply cable is not connected. • The cable between the terminal and the drying unit is not connected. • No power supply voltage in the mains. 	Check.	Connect the power supply cable, the terminal cable or reestablish the mains supply voltage.
	Faulty fuse.	Check.	Replace the fuse. The fuse is located on the back of the instrument besides the power plug (find a spare fuse there).
Keys and buttons on the terminal do not respond.	Software bug.	—	Restart the software by disconnecting and reconnecting the power supply.
The date & time is lost.	The battery is malfunctioning or empty.	—	Contact your METTLER TOLEDO service representative
Weight out of range. During adjustment.	Either no weight piece or the wrong weight piece has been placed on the sample pan for adjustment. This message is also displayed if you do not remove the weight piece when you are prompted.	Check if the correct weight piece is placed.	Use the correct weight piece and retry.

Error symptom	Possible cause	Diagnostic	Remedy
Drift The measuring values on the display slowly drift up/down.	The air current which cools the Load cell is blocked (filter, grating). The rising temperature influences the measurement.	Check (find the air filter and the grating at the backside of the moisture analyzer).	Replace filter (if available) and clean ventilation grating.
Unstable weight indication. The measuring values do not stabilize but go up/down.	The sample pan holder is not placed properly .	Check.	Make sure the sample pan holder is correctly placed. Some parts are touching the sample pan. Volatile sample substance (weight of the sample changes quickly).
The measurement takes too long.	An unsuitable switch-off criterion was set.	–	Choose a suitable switch-off criterion.
	Sample substance tends to form a skin, when heated.	–	If you use samples which tend to form a skin that hinders evaporation, perform the measurement at a higher temperature.
	An excessive amount of sample cause slow drying.	–	Enlarge the surface of the sample substance, e.g by crushing or grinding.
	Liquids take longer to dry.	–	For sample liquids, use absorbent glass fibre filters. Use absorbent glass filter for liquids. Enlarge the surface of the sample, e.g. by crushing or grinding.
No further measurements are possible.	Result management settings are unsuitable.	Check the settings.	<ul style="list-style-type: none"> • Activate Auto-delete and reduce the result limit via Settings > System and data management > Result management.
Measurement results are not repeatable.	Unstable environment/ location of the instrument.	–	Choose a suitable location. See "Selecting the location".
	The sample substance boils and the splashed drops continuously change the weight.	–	Lower the drying temperature.
	The drying time is too short for the "Timed" switch-off criterion.	–	Set a longer drying time for the "Timed" switch-off criterion.
	The samples are not comparable.	–	Use sample quantities as equal as possible, e.g. always within $\pm 10\%$ tolerance.

Error symptom	Possible cause	Diagnostic	Remedy
	The granulation of the sample is not homogenous or too large.	–	Use samples with a homogenous granulation.
	Insufficient heating power because the protective glass of the halogen radiator is dirty.	Check if the protective glass is dirty.	Clean the protective glass. See "Cleaning".
	The temperature sensor is contaminated/dirty.	Check if the temperature sensor is dirty.	Clean the temperature sensor. See "Cleaning".
	The sample substance does not become completely dry due to uneven distribution in the sample pan.	–	Evenly spread the sample substance in the sample pan and retry.
The adjustment temperature is lower than expected (e.g. 90°C instead of 100°C).	The draft shield is not installed.	Check.	Install the draft shield.
The difference between target and actual temperature is out of tolerance. When using the temperature adjustment kit.	The temperature adjustment kit is not adjusted or defective.	–	<ul style="list-style-type: none"> • Try another temperature adjustment kit. • Adjust the temperature adjustment kit (contact your METTLER TOLEDO service representative)
The SmartCal test failed.	The test prerequisites are not met correctly.	–	Make sure to meet the test prerequisites, see [SmartCal test ▶ Page 75].
	The entered room temperature and/or the relative humidity are set wrong.	Check if the values are set correctly.	Enter the correct values and retry.
	The test substance does not become completely dry due to uneven distribution in the sample pan.	–	Evenly spread the test substance in the pan and retry.
	The instrument is out of adjustments.	–	Perform: <ol style="list-style-type: none"> 1. Temperature test, see Temperature test. 2. Weight tests, see Tests 3. Repeat the SmartCal test with a new test substance.
The printer does not function/print.	<ul style="list-style-type: none"> • The printer is not switched on. • The cable is not properly connected. • The cable is plugged to the wrong connector. 	Check cable connections.	For correct cable connections, see [Electrical interfaces ▶ Page 20]. For setting up a printer, see [Peripherals ▶ Page 84].

Error symptom	Possible cause	Diagnostic	Remedy
	<ul style="list-style-type: none"> The printer is not setup correctly. 		
Incorrect characters are printed.	The printer/Instrument is not set up correctly.	Check the settings.	<ul style="list-style-type: none"> Change the bit/polarity setting of the printer and the instrument to "8/NO". Make sure both devices have the same baud rate set, see [Peripherals ▶ Page 84] Use the correct character sets, see Recommended Printer Settings (Strip printer).

See also

- [Updating the software ▶ Page 111](#)
- [SmartCal test ▶ Page 75](#)
- [Electrical interfaces ▶ Page 20](#)
- [Peripherals ▶ Page 84](#)
- [Method definition ▶ Page 32](#)
- [Selecting the location ▶ Page 13](#)
- [Cleaning ▶ Page 106](#)

10 Technical Data

10.1 General data

Power supply

110 V AC Version	100 V–120 V, 50/60 Hz, 4 A
230 V AC Version	200 V–240 V, 50/60 Hz, 2 A
Voltage fluctuations	-15%+10%
Power load	max. 450 W during drying process
Power line fuse	5 x 20 mm, T6.3 AH 250 V (6.3 A, time-lag T, high breaking capacity)
Overvoltage category	II
Degree of pollution	2
Standards for safety and EMC	see Declaration of Conformity (part of standard equipment)
Range of application	for use in dry interior rooms
Height above sea level	< 4000 m
Ambient temperature range	Operation: +10 °C to +30 °C (operability guaranteed +5 °C to +40 °C)
Relative air humidity	max. 80% up to +31 °C, linearly decreasing to 50% at +40 °C 20% - 80% and non-condensing conditions.
Warm-up time	At least 60 minutes after connecting the instrument to the power supply. When switched on from standby, the instrument is ready for operation immediately.

Materials

Drying unit

Housing	PBT-GB20
Inspection window grill	PEEK-HT G22 (UL 94 V-0)
Protective glass	Glass ceramics
Halogen lamp	Quartz glass
Reflector	Stainless steel, X2CrNiMo17-2 (1.4404)
Reflector bracket	PEEK-HT G22 (UL 94 V-0)
Draft shield, interior bottom plate	Stainless steel, X2CrNiMo17-2 (1.4404)

Terminal

Top housing	EN ZL-ZnAl4Cu1 (EN ZI-0410)
Bottom housing	PA12 GB30

10.2 Model-specific data

Drying Unit

Heating Module	Halogen ring-shaped radiator
Temperature range	40–230 °C
Temperature step	1 °C
Temperature programs	standard, rapid, gentle
Drying time	max. 480 minutes

Balance

Maximum capacity	150 g
Readability	1 mg
Minimum sample weight	0.1 g
Weighing technology	Monobloc
Adjustment	External weight

Moisture Content

Readability	0.01%
Repeatability (sd) with 2 g sample	0.05%
Repeatability (sd) with 10 g sample	0.01%

Interfaces

Drying Unit	<ul style="list-style-type: none">• 1 × System (Terminal – drying unit)• 1 × RS232C (for production only)
Terminal	<ul style="list-style-type: none">• 1 × RS232C (9-pin socket)• USB Host port 1 (Type A socket), USB 1.1 Supported memory sticks up to 32 GB• USB Host port 2 (Type A socket), USB 1.1 Supported memory sticks up to 32 GB• 1 × USB Device (Type B socket), USB 1.1• Ethernet: TCP/IP, DHCP, static IP, 100 Mbit/s, RJ45

Note

USB Host port 1: Do not use any extension cable with memory sticks. See [Overview terminal ▶ Page 11].

Data

Export data format of results	<ul style="list-style-type: none">• CSV (Comma-separated values)• PDF
-------------------------------	--

Hardware

Drying unit

Sample chamber opening/closing	manual
Leveling	2 leveling screws
Sample pan	Ø 90 mm
Maximum height of sample	15 mm
Thermal overload protection	Bimetallic-element switch in heating module
Dimensions (w x h x d)	199 x 139 x 428 mm See [Dimensions ▶ Page 120]

Weight, ready to measure 6.8 kg

Terminal

Display WVGA color display, resistive touch-sensitive

Reading angle Adjustable, 2 folding feet

Dimensions (w x h x d) 200 x 63.5/79.5 x 134.5 mm

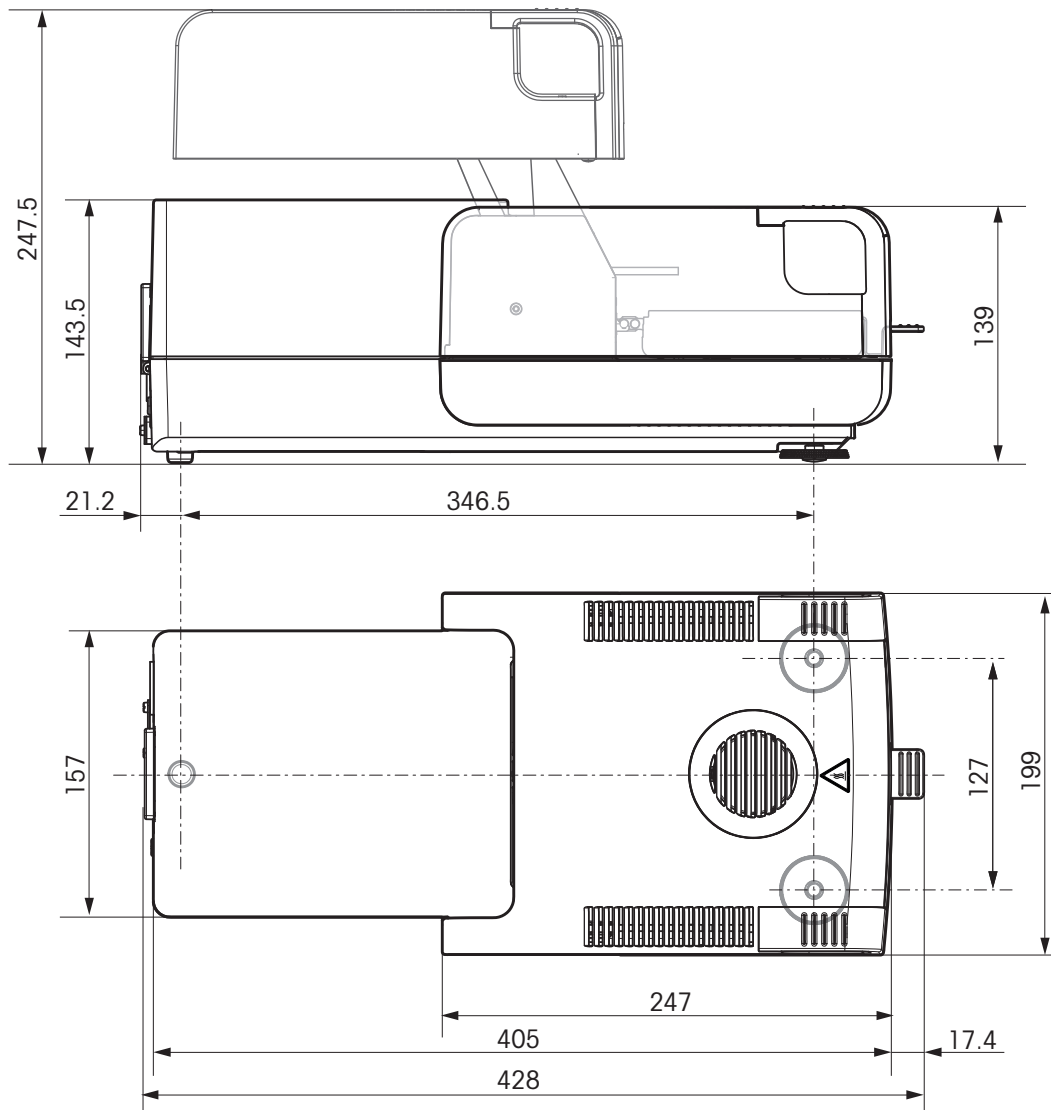
See [Dimensions ▶ Page 120]

Weight 1.2 kg

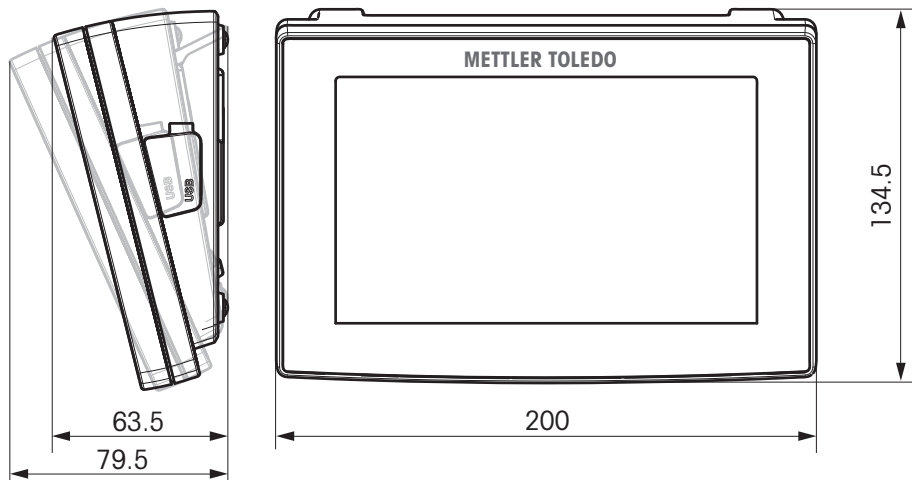
10.3 Dimensions

(all dimensions in mm)

10.3.1 Drying unit



10.3.2 Terminal

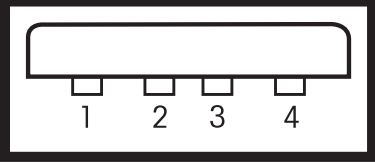


10.4 Interfaces specification

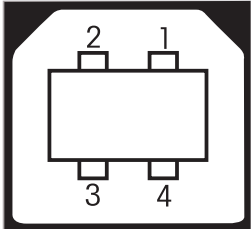
10.4.1 RS232C

Schematic	Item	Specification
	Interface type	Voltage interface according to EIA RS-232C/ DIN66020 CCITT V24/V.28)
	Max. cable length	15 m
	Signal level	Outputs: +5 V ... +15 V (RL = 3–7 kΩ) –5 V ... –15 V (RL = 3–7 kΩ) Inputs: +3 V ... +25 V –3 V ... –25 V
	Connector	Sub-D, 9-pole, female
	Operating mode	Full duplex
	Transmission mode	Bit-serial, asynchronous
	Transmission code	ASCII
	Baud rates	see setting options
	Bits/parity	see setting options
	Stop bits	see setting options
	Handshake	None, XON/XOFF, RTS/CTS (software selectable)

10.4.2 USB host

Schematic	Item	Specification	
	Standard	In conformity with USB Specification Revision 1.0/1.1	
	Speed	Full speed 12 Mbps (requires shielded cable)	
	Power usage	Max. 500 mA	
	Connector	Type A	
	Pin assignment	1	VBUS (+5 V DC)
		2	D- (Data -)
		3	D+ (Data +)
4		GND (Ground)	
Shell	Shield		



10.4.3 USB device

Schematic	Item	Specification										
 <table border="1" data-bbox="359 1027 643 1191"> <tr> <td>1</td> <td>VBUS (+5 VDC)</td> </tr> <tr> <td>2</td> <td>D- (Data -)</td> </tr> <tr> <td>3</td> <td>D+ (Data +)</td> </tr> <tr> <td>4</td> <td>GND (Ground)</td> </tr> <tr> <td>Shield</td> <td>Shield</td> </tr> </table>	1	VBUS (+5 VDC)	2	D- (Data -)	3	D+ (Data +)	4	GND (Ground)	Shield	Shield	Standard	In conformity with USB specifications revision 2.0
	1	VBUS (+5 VDC)										
	2	D- (Data -)										
	3	D+ (Data +)										
	4	GND (Ground)										
	Shield	Shield										
Speed	Full-speed 12 Mbps (requires shielded cable)											
Function	CDC (Communication Device Class) serial port emulation											
Power usage	Suspended device: Max 10 mA											
Connector	Type B											


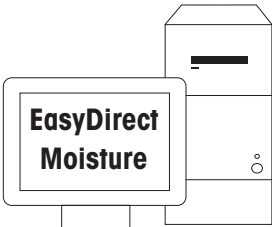
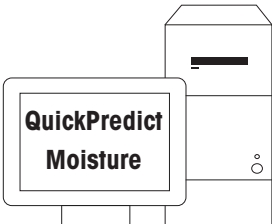
11 Accessories and Spare Parts

11.1 Accessories


Cables

	Cable RS9 (m) – RS9 (f) <ul style="list-style-type: none">• Data transfer between instrument and peripheral• Length: 1 m	11101051
	Cable USB-A (m) – USB-B (m) <ul style="list-style-type: none">• Data transfer between instrument and peripheral• Length: 1 m	30241476

Data Processing

	Barcode reader 1D Gryphon GD4220 <ul style="list-style-type: none">• Scans barcodes and transmits the decoded information to a connected device• Applications: sample identification, data input, process control• Interface: USB-A• 5 V DC, 0.35 A; power supply via USB interface; cable length: 2 m	30417466
	EasyDirect Moisture <ul style="list-style-type: none">• Data management software for up to 5 moisture analyzers• Data collection in SQL database, graphical result evaluation, routine testing scheduling, instrument monitoring	30522676
	QuickPredict Moisture <ul style="list-style-type: none">• Result prediction software for a reduced moisture determination time• Calculates the final result of a moisture measurement in a fraction of the usual drying time	30518268

Fixtures

	Anti-theft cable <ul style="list-style-type: none">• Protects the instrument from theft• Including: steel cord, lock, two keys• Detachable steel security cord with T-bar mechanism	11600361
---	--	-----------------



Dust filter**30020838**

- Prevents dust from entering the instrument through the ventilator
- Including: 50 pcs
- \varnothing : 69.9 mm



Printer holder**30066692**

- Holds the printer securely at an elevated level above the instrument
- Requires terminal support 30018474 for installation
- Net platform area: 200 × 250 mm



Terminal support**30018474**

- Holds the terminal securely at an elevated level above the instrument
- Can optionally also take on printer holder 30066692
- 76 × 64 × 305 mm

Performance Testing

Weight 100 g, OIML class F1, certified**30406400**

- Including: calibration certificate
- Knob weight with adjusting cavity
- Material: stainless steel
- Density: 7.9 kg/dm³
- Compliant with: OIML class F1



SmartCal StarterPac, certified**30005918**

- Testing substance that verifies the performance of a moisture analyzer in a 10-minute test
- Including: 12 SmartCal sachets, thermo-hygrometer, instructions, certificate of analysis
- Consists of highly temperature sensitive granular material, based on a zeolite, with a defined moisture content
- Each batch is certified by an independent institute according to specifications that exceed those of the standard SmartCal substance



SmartCal set of 12, certified**30005793**

- Testing substance that verifies the performance of a moisture analyzer in a 10-minute test
- Including: 12 SmartCal sachets, certificate of analysis
- Consists of highly temperature sensitive granular material, based on a zeolite, with a defined moisture content
- Each batch is certified by an independent institute according to specifications that exceed those of the standard SmartCal substance



SmartCal set of 24, certified**30005791**

- Testing substance that verifies the performance of a moisture analyzer in a 10-minute test
- Including: 24 SmartCal sachets, certificate of analysis
- Consists of highly temperature sensitive granular material, based on a zeolite, with a defined moisture content
- Each batch is certified by an independent institute according to specifications that exceed those of the standard SmartCal substance



SmartCal StarterPac**30005917**

- Testing substance that verifies the performance of a moisture analyzer in a 10-minute test
- Including: 12 SmartCal sachets, thermo-hygrometer, instructions
- Consists of highly temperature sensitive granular material, based on a zeolite, with a defined moisture content



SmartCal set of 12**30005792**

- Testing substance that verifies the performance of a moisture analyzer in a 10-minute test
- Including: 12 SmartCal sachets
- Consists of highly temperature sensitive granular material, based on a zeolite, with a defined moisture content



SmartCal set of 24**30005790**

- Testing substance that verifies the performance of a moisture analyzer in a 10-minute test
- Including: 24 SmartCal sachets
- Consists of highly temperature sensitive granular material, based on a zeolite, with a defined moisture content



Temperature kit, certified**30020851**

- Tool that verifies the operating temperature of the heating unit to ensure reliable results
- Including: calibration certificate, storage case
- Tests and adjusts the instrument at a selected operating temperature

Printers

Printer P-52RUE**30237290**

- Including: AC/DC adapter, country-specific power cable, cable USB-A – USB-B, cable RS232 – RS232, ribbon cartridge, set of printing-paper rolls, User Manual
- Printing technology: dot matrix
- Maximum printing speed: 100 mm/second; interfaces: USB-B, RS232, Ethernet
- 24 V DC, 2.5 A; 130 × 220 × 88 mm

**Printer P-56RUE****30094673**

- Including: AC/DC adapter, country-specific power cable, cable USB-A – USB-B, cable RS232 – RS232, set of printing-paper rolls, User Manual
- Printing technology: direct thermal
- Real time clock with date and time; maximum printing speed: 100 mm/second; interfaces: USB-B, RS232, Ethernet
- 24 V DC, 2.5 A; 130 × 220 × 88 mm

**Printer P-56RUE****30094673**

- Including: AC/DC adapter, country-specific power cable, cable USB-A – USB-B, cable RS232 – RS232, set of printing-paper rolls, User Manual
- Printing technology: direct thermal
- Real time clock with date and time; maximum printing speed: 100 mm/second; interfaces: USB-B, RS232, Ethernet
- 24 V DC, 2.5 A; 130 × 220 × 88 mm

**Printer P-58RUE****30094674**

- Including: AC/DC adapter, country-specific power cable, cable USB-A – USB-B, cable RS232 – RS232, set of printing-paper rolls, User Manual
- Printing technology: direct thermal
- Real time clock with date and time; maximum printing speed: 100 mm/second; interfaces: USB-B, RS232, Ethernet
- 24 V DC, 2.5 A; 130 × 220 × 88 mm
- Applications: statistics, formulation, totaling, label printing

**Printer RS-P25/01****11124300**

- Including: AC/DC adapter, country-specific power cable, RS232 cable, paper rotary axis, ribbon cartridge, set of printing-paper rolls, user manual
- Printing technology: dot matrix
- Automatic baud rate detection; printing speed: 2.3 lines/second; interface: RS232
- 12 V DC, 2.5 A; 120 × 203 × 73 mm

Sample Handling**Downholder****214758**

- Holds down samples that contract upon heating and prevents glass fiber filter 214464 from curling
- Material: stainless steel
- \varnothing : 88.9 mm; height: 2 mm

**Glass fiber filter****214464**

- For measuring samples with a high moisture content like liquid and pasty substances
- Including: 100 pcs
- Ensures even sample spread and enlarges the sample surface for a faster time to result
- \varnothing : 88.9 mm
- Highly absorbent



Sample pan, aluminium**13865**

- For measuring samples of moderate moisture content and volume that do not contract excessively during drying
- Including: 80 pcs
- For one-time use
- Fits into the sample-pan holder
- \varnothing : 90 mm; height: 6 mm
- Oil-free and fat-free surface



Sample pan, aluminium, extrastrong**11113863**

- For measuring samples that expand, contract or otherwise deform during drying
- Including: 80 pcs
- For one-time use
- Fits into the sample-pan holder
- \varnothing : 90 mm; height: 6 mm
- Oil-free and fat-free surface



Sample pan, gold-coated**214695**

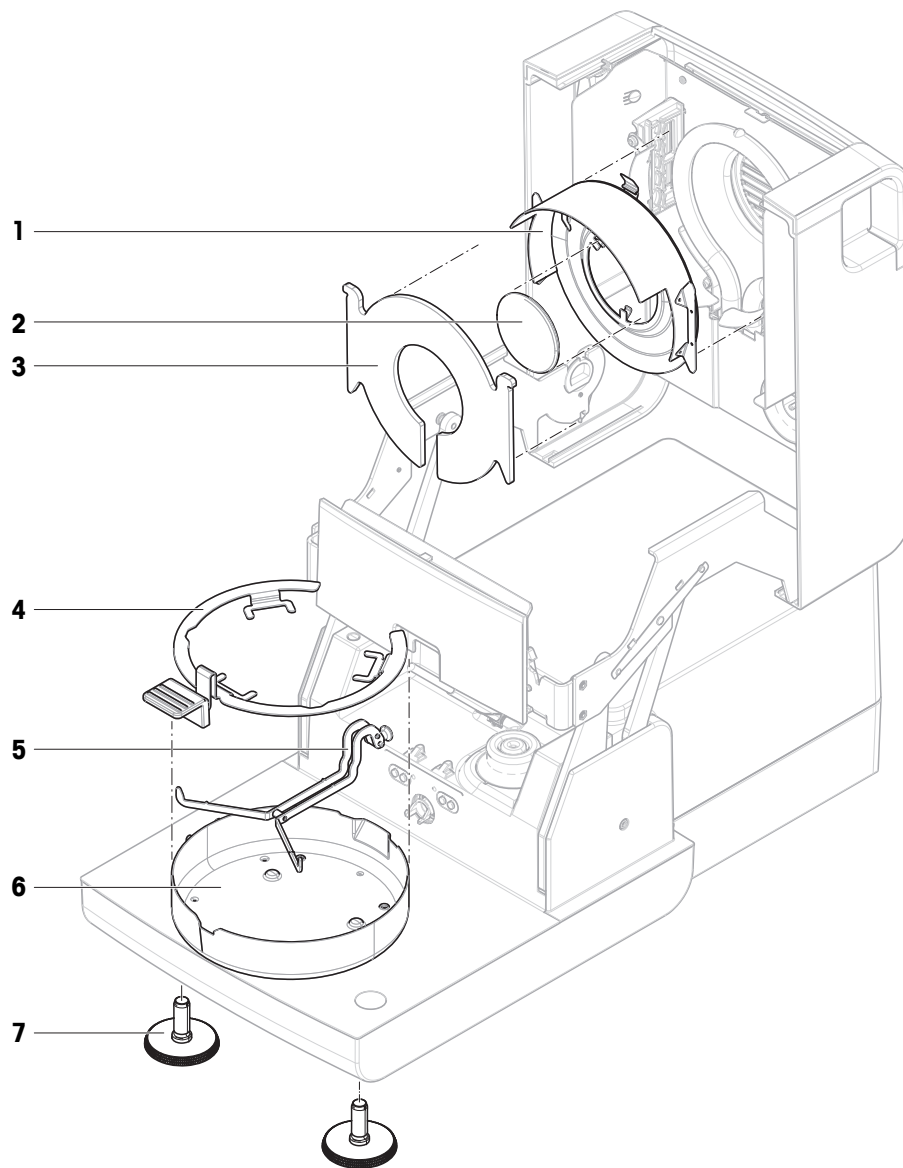
- For measuring bulky samples like textiles
- Including: lid and holding clips
- Reusable
- Dishwasher-proof
- Fits into the sample-pan holder
- \varnothing : 90 mm; height: 15 mm
- Oil-free and fat-free surface



Sample pan, stainless steel**214462**

- Including: 3 pcs
 - Reusable
 - Dishwasher-proof
 - Fits into the sample-pan holder
 - \varnothing : 90 mm; height: 6 mm
 - Oil-free and fat-free surface
-

11.2 Spare parts



	Order no.	Designation	Remarks
1	11148330	Reflector	Excluding: Inspection glass
2	11148421	Inspection glass	—
3	11148416	Protective glass	—
4	30020852	Sample pan handler	—
5	11148108	Sample pan holder	—
6	30106210	Draft-protection element	—
7	30104835	Leveling foot	Including: 2 pcs

12 Disposal

In conformance with the European Directive 2012/19/EU on Waste Electrical and Electronic Equipment (WEEE) this device may not be disposed of in domestic waste. This also applies to countries outside the EU, per their specific requirements.



Please dispose of this product in accordance with local regulations at the collecting point specified for electrical and electronic equipment. If you have any questions, please contact the responsible authority or the distributor from which you purchased this device. Should this device be passed on to other parties, the content of this regulation must also be related.

Index

A

Access rights	98, 99
Accessories	45, 123
Account	
Policies	101
User	99
Adding comments	60
Adjustment	24
Balance	76
Heating module	76
Settings	94
Touch screen	87
Anti-theft	10, 17
Asterisk	38
Auto lockout	101
Auto-delete functionality	101

B

Back up	103
Brightness	82, 86

C

Calculated values	38
Certified RHT sensor	75
Chart	67
Color	82, 86
Comments to measurement	60
Company information	87
Control limits	42
convention	5
Copy	
Method	49
Country	83
Create a shortcut	62
Shortcuts	62
CSV	119
CSV format	70

D

Data	119
Date	17, 26, 83
Define	
Method	47, 48
Delete	
see Remove	49
Dimensions	120

Display language	82, 86
Display mode	38
disposal	129
Draft shield element	10
Drying	
Temperature	33, 34, 35
Unit	10
Unit dimensions	120
Drying program	
Gentle	34
Rapid	33
Standard	33
Dust filter	10, 110

E

EasyDirect Moisture	70, 84
Edit	
Method	48
Shortcut	62
Entering	
Numerical values	26
Text and numbers	25
environmental condition	13
Ethernet	21, 88
Event logs	103
Export	103
Export	
Result	70, 119
Settings and methods	102
Export management	91

F

Fan	10, 110
Filter	67
Firmware update	111
flash drive	
see USB storage device	101
Fuse	110, 118

G

General method properties	46
General settings	24
Gentle drying	34
Graphics panel	25
Graphics view	67
Groups	98

H			
Halogen lamp	10		
Heating module	10		
History	79		
Home screen	20, 22, 23		
Host name	88		
Host settings	84		
I			
Identifications	90		
Identifications panel	25		
Import			
Settings and methods	102		
Inspection window	10		
install			
site	13		
Instrument settings	83		
Interface	119		
Interim results	91		
J			
Journal	67		
K			
Kensington slot	10, 17		
Keyboard			
text and numbers	25		
Keyboard language	82		
Keypad			
numerical values	26		
Keys on the terminal	20, 22		
L			
Languages	82, 86		
Printout	91		
Level			
Indicator	10		
Sensor	10		
Leveling screw	10		
Limits	42		
Lists	27		
location	13		
Log file	103		
Login	101		
M			
Maintenance			
Dust filter	110		
		Power line fuse	110
		Measurement	24, 58
		First measurement	28
		sample preparation	61
		Simple measurement	28
		Memory stick	21
		Method	
		Copy	49
		Definition	32
		Edit	24, 48
		Export and import	102
		Name	46
		New	24, 47, 48
		Properties	46
		Remove	49
		Renaming	46
		Test	50
		Method selection	94
		MethodWizard	46
		MT-SICS	84
N			
		New method	47, 48
		Numbers	25
		Numerical values	26
P			
		Parameter panel	25
		Password	83, 99
		PCL printer	84
		PDF	119
		Peripheral settings	84
		Power line fuse	10, 110
		Power supply	118
		Power supply socket	10
		Print management	91
		Printer	
		Settings	84
		Printout	
		Intermediate results	91
		Language	91
Q			
		QuickAccess	23
		QuickPredict	62
		Activation	54
		Disabling	55
		License	53

Prerequisites	52	Weight test	96
Reference data set	56	Shortcuts	23, 24, 61
Setup	52	Edit	62
Uncertainty thresholds	66	Remove	62
Use	63	Show results	24
Wizard	56	SmartCal	
		Test	75
		Test settings	96
		SOC	35
		SOC delay	37
		Software update	111
		Sound	83
		Standard drying	33
		Standby	20, 22, 31
		Start measurement	24
		Start weight	41, 61
		Starting mode	45
		Startup user	101
		Status messages	23
		Stop drying	60
		Switch button	26
		switch on/off	20, 22, 31
		Switch-off criterion	35, 50
		symbol	5
		warning	7
		System	20
		T	
		Tables	27
		TCP/IP	21, 88
		Temperatur	
		Adjustment settings	97
		Temperature	
		Sensor	10
		Switch-off criterion	35
		Test	74
		Test settings	96
		Temperature kit	10
		Terminal	17
		Terminal dimensions	121
		Test	24, 72
		Measurement	50
		Method	50
		Temperature	74
		Time	50
		Weight external	73
R			
Ramp time	35		
Rapid drying	33		
Reading angle	17		
Remove			
Method	49		
Shortcut	62		
Replace			
Dust filter	110		
Power line fuse	110		
Reset	104		
Restore	103		
Result			
Export	70, 119		
Result and value handling	41		
Result limit	101		
Result management	101		
Results	24, 67		
RHT sensor	75		
RS232C	11, 20		
S			
safety information	7		
Sample chamber	10		
Sample pan handler	10		
Sample pan holder	10		
sample preparation	61		
Scope of delivery	13		
Screen settings	82, 86		
Settings	24		
Adjustment	94		
Date	17, 26, 83		
Export and import	102		
Host	84		
Peripheral	84		
Regional	83		
Screen	82		
Temperature Test	96		
Time	17, 26, 83		
Weight adjustment	97		

Tests	
General	73
Text	25
Time	17, 26, 83
Touch screen adjustment	87
Troubleshooting	103

U

USB	11
USB Device	21
USB Driver	
Installation	19
USB Host	21
USB storage device	101
User	
Account	99
Groups	98
Home screen	23
Interface	22
Shortcuts	24, 61

V

Value panel	24
-------------	----

W

warning symbol	7
Weighing-in aid	41, 61
Weight	
Test external	73
Weight adjustment	
Settings	97
Weight test	
external	73
Settings	96
Work screen	25
Workflow handling	45

To protect your product's future:

METTLER TOLEDO Service assures the quality, measuring accuracy and preservation of value of this product for years to come.

Please request full details about our attractive terms of service.

► www.mt.com/service

www.mt.com/hxhs

For more information

Mettler-Toledo GmbH

Im Langacher 44
8606 Greifensee, Switzerland
www.mt.com/contact

Subject to technical changes.
© 11/2023 METTLER TOLEDO. All rights reserved.
30019588I en



30019588