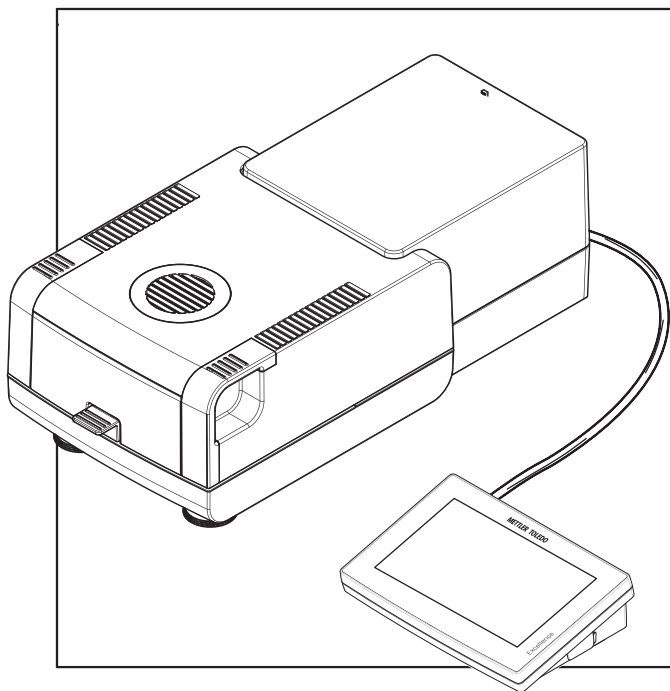


Moisture Analyzer

Excellence HS153



METTLER TOLEDO

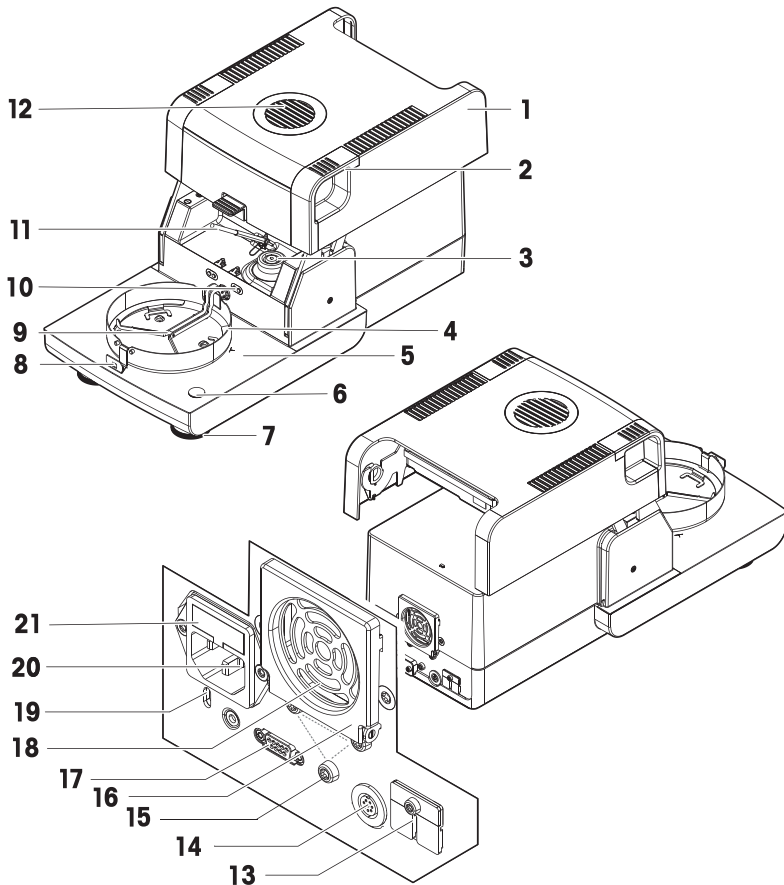


This User Manual provides brief instructions about the first steps to take with the instrument. This ensures safe and efficient handling. Personnel must have carefully read and understood this manual before performing any task.

For full information, always refer to the Reference Manual (RM).

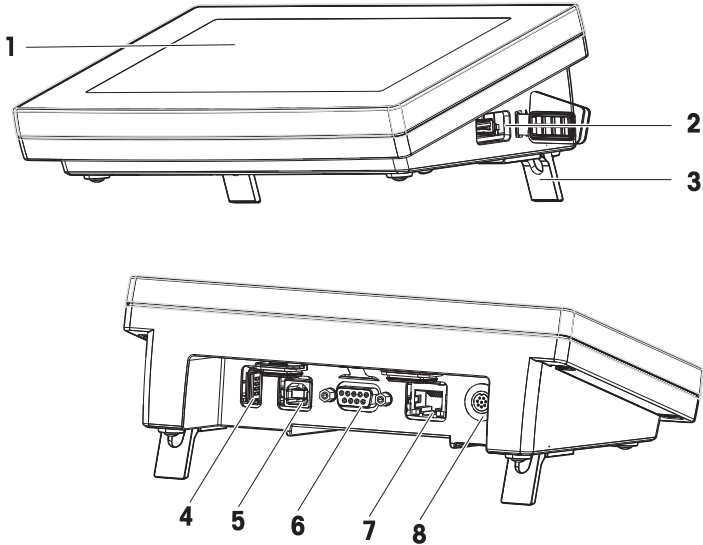
▶ www.mt.com/HS153-RM

Overview drying unit



1	Heating module (with thermal overload protection)	12	Inspection window and vent
2	Handles for opening the sample chamber	13	2 Aux ports (n.a.)
3	Power contacts for halogen lamp	14	Socket for terminal connection cable
4	Draft shield element	15	Fastening for terminal stand
5	Sample chamber	16	Fan
6	Level indicator / Level sensor	17	RS232C (for production only)
7	Leveling screw	18	Dust filter (optional)
8	Sample pan handler	19	Kensington slot for anti-theft purposes
9	Sample pan holder	20	Power supply socket
10	Contacts for temperature kit (optional)	21	Power line fuse (plus replacement fuse)
11	Temperature sensor		

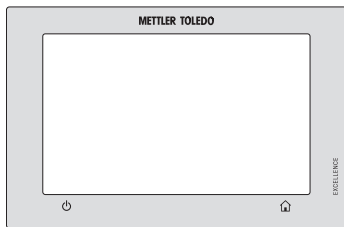
Overview terminal



Legend terminal

1	Touch screen	5	USB Device port
2	USB Host port 1	6	RS232C port
3	Foot	7	Ethernet RJ45 port
4	USB Host port 2	8	Socket for terminal connection cable

Overview operation keys





 ON/OFF	 Home
---	---

Table of Contents

1	Introduction	3
1.1	Further documents and information	3
1.2	Compliance information	3
2	Safety Information	3
2.1	Definition of signal words and warnings symbols	3
2.2	Product-specific safety notes	4
3	Design and Function	6
3.1	Operation keys	6
3.2	Screen navigation	6
3.3	Home screen	6
3.4	Work screen	7
4	Installation and Putting into Operation	8
4.1	Selecting the location	8
4.2	Unpacking the moisture analyzer	8
4.3	Scope of delivery	8
4.4	Connecting instrument	9
4.5	Setting up the instrument	9
4.6	Leveling the instrument	10
4.7	Setting date and time	12
4.8	Adjustments	12
4.9	Transporting, packing and storing	13
4.9.1	Transporting the Moisture Analyzer	13
4.9.2	Putting into operation after transport	13
4.9.3	Packing and storing	13
5	Maintenance	14
5.1	Maintenance tasks	14
5.2	Cleaning	14
5.2.1	Sample chamber	15
5.2.2	Heating module	15
5.2.3	Fan grill	18
5.2.4	Putting into operation after cleaning	18
5.3	Replacing the dust filter	18
6	Technical Data	19
6.1	General data	19
7	Disposal	20

1 Introduction

Thank you for purchasing a halogen moisture analyzer from METTLER TOLEDO. The moisture analyzer combines high performance with ease of use.

EULA

The software in this product is licensed under the METTLER TOLEDO End User License Agreement (EULA) for Software.

When using this product you agree to the terms of the EULA.

▶ www.mt.com/EULA

1.1 Further documents and information

This document is available in other languages online.

▶ www.mt.com/moisture

▶ www.mt.com/moisture-software

Search for documents:

▶ www.mt.com/library

For further questions, please contact your authorized METTLER TOLEDO dealer or service representative.

▶ www.mt.com/contact

1.2 Compliance information

National approval documents, e.g., the FCC Supplier Declaration of Conformity, are available online and/or included in the packaging.

▶ www.mt.com/ComplianceSearch



For further information, consult the Reference Manual (RM).

▶ www.mt.com/HS153-RM

2 Safety Information

Two documents named "User Manual" and "Reference Manual" are available for this instrument.

- The User Manual is printed and delivered with the instrument.
- The electronic Reference Manual contains a full description of the instrument and its use.
- Keep both documents for future reference.
- Include both documents if you transfer the instrument to other parties.

Only use the instrument according to the User Manual and the Reference Manual. If you do not use the instrument according to these documents or if the instrument is modified, the safety of the instrument may be impaired and Mettler-Toledo GmbH assumes no liability.

2.1 Definition of signal words and warnings symbols

Safety notes contain important information on safety issues. Ignoring the safety notes may lead to personal injury, damage to the instrument, malfunctions and false results. Safety notes are marked with the following signal words and warning symbols:

Signal words

DANGER	A hazardous situation with high risk, resulting in death or severe injury if not avoided.
WARNING	A hazardous situation with medium risk, possibly resulting in death or severe injury if not avoided.
CAUTION	A hazardous situation with low risk, resulting in minor or moderate injury if not avoided.

NOTICE

A hazardous situation with low risk, resulting in damage to the instrument, other material damage, malfunctions and erroneous results, or loss of data.

Warning symbols



General hazard



Hot surface



Notice

2.2 Product-specific safety notes

Intended use

This instrument is designed to be used by trained staff. The instrument is intended for determining the weight loss during drying of samples.

Any other type of use and operation beyond the limits of use stated by Mettler-Toledo GmbH without consent from Mettler-Toledo GmbH is considered as not intended.

Moisture determination applications must be optimized and validated by the user according to local regulations. Application-specific data provided by METTLER TOLEDO is intended for guidance only.

Responsibilities of the instrument owner

The instrument owner is the person holding the legal title to the instrument and who uses the instrument or authorizes any person to use it, or the person who is deemed by law to be the operator of the instrument. The instrument owner is responsible for the safety of all users of the instrument and third parties.

Mettler-Toledo GmbH assumes that the instrument owner trains users to safely use the instrument in their workplace and deal with potential hazards. Mettler-Toledo GmbH assumes that the instrument owner provides the necessary protective gear.

Safety notes



WARNING

Death or serious injury due to electric shock

Contact with parts that carry a live current can lead to injury and death. If the instrument cannot be shut down in an emergency situation, people can be injured and the instrument can be damaged.

- 1 Check that the voltage printed on the instrument is the same as your local power supply voltage. If this is not the case, under no circumstances connect the instrument to the power supply, but contact a METTLER TOLEDO representative.
- 2 Only use the three-core power cable with equipment grounding conductor supplied by METTLER TOLEDO to connect your instrument.
- 3 Only connect it to a three-pin power socket with earthing contact.
- 4 Only use standardized extension cables with equipment grounding conductor for operating the instrument.
- 5 Make sure that the power plug is accessible at all times.
- 6 Arrange the cables so that they cannot be damaged or interfere with the operation.
- 7 Keep all electrical cables and connections away from liquids.



⚠ WARNING

Injury or death due to toxic or corrosive substances

Heating up toxic or corrosive substances, e.g., acids, can result in toxic or corrosive vapors that can cause injuries if they come in contact with the skin or the eyes or if they are inhaled.

- 1 When using chemicals and solvents, comply with the instructions of the manufacturer and the general laboratory safety rules.
- 2 Set up the instrument in a well-ventilated location.
- 3 When using dry substances that form toxic gases, place the instrument in a fume hood.



⚠ WARNING

Death or serious injuries due to flammable solvents

Flammable solvents in the vicinity of the instrument can ignite and lead to fire and explosions.

- 1 Keep flammable solvents away from the instrument.
- 2 When using chemicals and solvents, comply with the instructions of the manufacturer and the general laboratory safety rules.



⚠ CAUTION

Burns due to hot surfaces

During operation, parts of the instrument can reach temperatures that can cause burns if touched.

- 1 Do not touch the area marked with the warning symbol.
- 2 Ensure sufficient free space around the instrument to avoid heat accumulation and overheating (approx. 1 m free space above the heating module).
- 3 Never cover, tape or clog the vent over the sample chamber. Do not tamper with the vent in any other way.
- 4 Exercise caution when removing a sample. The sample itself, the sample chamber, the draft shield and the sample pan may be very hot.
- 5 Do not open the heating module during operation. Always let it cool down completely before opening.
- 6 Do not modify the heating module in any way.



NOTICE

Damage to the instrument due to corrosive substances and vapors

Corrosive substances and corrosive vapors can damage the instrument.

- 1 When using chemicals and solvents, comply with the instructions of the manufacturer and the general laboratory safety rules.
- 2 Ensure that the instrument parts touching your sample substance can not get altered by it.
- 3 Wipe off any condensation of corrosive vapours after an operation.
- 4 Work with small samples.



NOTICE

Damage to the instrument or malfunction due to the use of unsuitable parts



- Only use parts from METTLER TOLEDO that are intended to be used with your instrument.

A list of spare parts and accessories can be found in the Reference Manual.

For related information concerning the QuickPredict function, **see** Prerequisites to use QuickPredict for a method.

3 Design and Function

3.1 Operation keys

Key	Designation	Description
	ON/OFF	Switches the Moisture Analyzer on / into standby mode (to switch it off completely, it has to be unplugged from the power supply).
	Home	Directly returns to the home screen from any other menu level.

3.2 Screen navigation

The colored touch screen is a touch-sensitive WVGA monitor. It displays information and allows you to enter commands by touching certain areas on its surface: You can choose the information displayed on the screen, change terminal settings or perform certain operations on the instrument.

Only those elements which are available for the current dialog appear on the display.



NOTICE

Damage to the touch screen due to pointed or sharp objects

- Operate the touch screen with your fingers.

Note

The sensitivity of the touch screen is set to a default value. The sensitivity of the touch screen can be defined with the function **Touch screen adjustment** in the section **Settings**.

The surface navigation of the touch screen works in the same way as on most common touch screens:


Selecting a button or an icon

- Tap on it.

Scrolling

- Drag the button in the scroll bar up or down.
- Or tap ▲ or ▼

3.3 Home screen

The user **Home** screen is the main screen and appears after startup or login of the instrument. All sections of the user interface can be accessed from the home screen. Returning to the **Home** screen is possible from all other screens of the user interface by pressing the [] key or tapping the [**Home**] button.



	Name	Explanation
1	Main Menu	<p>Measurement</p> <p>Start measurement.</p> <p>Prerequisite: Method is defined and all necessary settings are made.</p> <p>Results</p> <p>Display, print and export results</p> <p>Method Definition</p> <p>Define, edit, test or delete a method</p> <p>Test/Adjust</p> <p>Adjust or test the integrated balance and the heating module and perform SmartCal tests.</p> <p>Settings</p> <p>Define instrument-, user-, and data-management settings. Find help and tutorials under this menu item.</p>
2	User shortcuts	Shows user-specific shortcuts for frequently used methods. Shortcuts are saved in the user profile.
3	Instrument info	Shows general info about the instrument and the software (e.g. serial number, software version).

3.4 Work screen



	Name	Explanation
1	Shortcut button	Adding/editing a shortcut to the current method (to the home screen).
2	Value panel	Current measured (or predicted) values of the work process.
3	Parameter panel	Parameters of the current work process. A detailed overview of the method parameters appears after tapping the parameter panel. Identifications (IDs) appear after tapping the ID panel for entering or editing values (comments). ID panel appears only if identification input is activated in the menu.
4	Action buttons	Action buttons which are required and available for the current dialog (e.g. Back , ->0/T<- , Print , Save , Delete , OK).
5	Graphics panel	Graphical illustrations, e.g. of the drying curves, instructions for the user for performing tasks, and weighing-in aid.

4 Installation and Putting into Operation

4.1 Selecting the location

A moisture analyzer is a sensitive precision instrument. The location where it is placed will have a profound effect on the accuracy of the results.

Requirements of the location

Place indoors on stable table

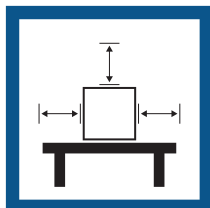
Ensure sufficient spacing

Level the instrument

Provide adequate lighting



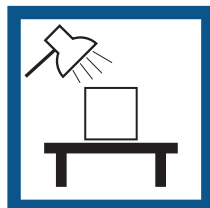
Avoid direct sunlight



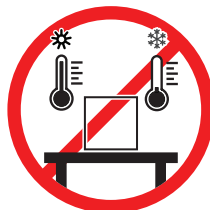
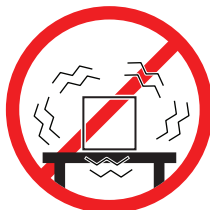
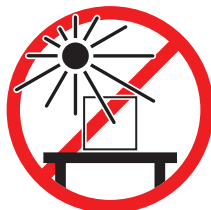
Avoid vibrations



Avoid strong drafts



Avoid temperature fluctuations



Take into account the environmental conditions. See "Technical Data".

Sufficient spacing for moisture analyzers: > 15 cm next to the instrument, > 1 m above the lid.

4.2 Unpacking the moisture analyzer

Check the package, the packaging elements and the delivered components for damages. If any components are damaged, please contact your METTLER TOLEDO service representative.

4.3 Scope of delivery

Moisture Analyzer	Documentation	Accessories
<ul style="list-style-type: none"> • 1 Drying unit • 1 Draft shield • 1 Power cable • 1 Terminal • 1 Terminal cable • 1 Sample handler • 1 Sample pan holder 	<ul style="list-style-type: none"> • 1 User Manual • 1 Application brochure «Guide to Moisture Analysis» • 1 Production certificate • EU-countries: 1 CE declaration of conformity 	<ul style="list-style-type: none"> • 80 aluminium sample pans • 3 Specimen samples (glass fibre filter) • 1 SmartCal sampler

4.4 Connecting instrument



WARNING

Death or serious injury due to electric shock

Contact with parts that carry a live current can lead to injury and death. If the instrument cannot be shut down in an emergency situation, people can be injured and the instrument can be damaged.

- 1 Check that the voltage printed on the instrument is the same as your local power supply voltage. If this is not the case, under no circumstances connect the instrument to the power supply, but contact a METTLER TOLEDO representative.
- 2 Only use the three-core power cable with equipment grounding conductor supplied by METTLER TOLEDO to connect your instrument.
- 3 Only connect it to a three-pin power socket with earthing contact.
- 4 Only use standardized extension cables with equipment grounding conductor for operating the instrument.
- 5 Make sure that the power plug is accessible at all times.
- 6 Arrange the cables so that they cannot be damaged or interfere with the operation.
- 7 Keep all electrical cables and connections away from liquids.

Two different versions of drying units with country-specific power cable are available:

110 V AC or 230 V AC



Connecting the terminal to the drying unit

- Drying unit and terminal are at the final location.
- 1 Connect one end of the supplied terminal cable to the system connection socket on the terminal.
 - 2 Screw the connector firmly.
 - 3 Connect the other end to the system connection socket on the drying unit.
 - 4 Screw the connector firmly.

Connecting the drying unit to the power supply

- The terminal is connected to the drying unit.
- 1 Connect one end of the power cable to the power supply socket on the drying unit.
 - 2 Connect the other end to the power line outlet.

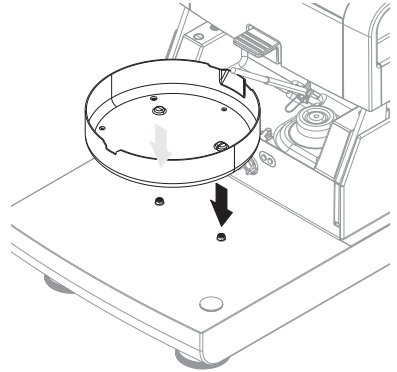
See also

-  [Overview terminal ▶ Page 5](#)
-  [Overview drying unit ▶ Page 4](#)

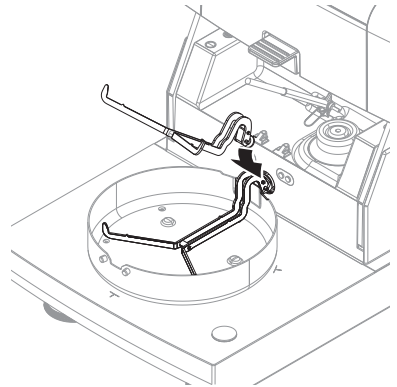
4.5 Setting up the instrument

- Terminal and drying unit are connected.
- 1 To switch on the Instrument, press [⏻].
 - 2 Open the sample chamber.
 - 3 Place the draft shield element. Only one position is possible.

- 4 Insert the sample pan holder carefully. Check that the sample pan holder is hooked correctly.



- 5 Insert the sample pan handler.



4.6 Leveling the instrument

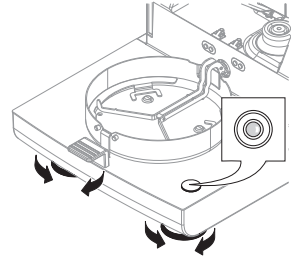
Exact horizontal positioning and stable installation are prerequisites for repeatable and accurate results. To compensate for small irregularities or inclinations ($\pm 2\%$) at the location, the instrument must be leveled.

Note

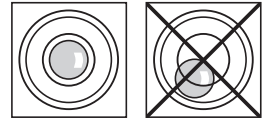
For leveling the drying unit use the function **Leveling guide** that can be found on **Settings > Help and tutorials > Instrument tutorial > 1. Leveling the instrument.**

For exact horizontal positioning, the drying unit has a level indicator (level) and 2 leveling screws. When the air bubble in the level indicator is exactly in the center, the instrument is standing perfectly horizontally. To level it, proceed as follows:

- 1 Position your Moisture Analyzer at the selected location.
- 2 Turn the two leveling feet until the air bubble is in the center of the level indicator.



L = left foot
R = right foot



Air bubble at 12 o'clock:



Turn both feet clockwise.



Air bubble at 3 o'clock:



Turn left foot clockwise, turn right foot counterclockwise.



Air bubble at 6 o'clock:



Turn both feet counterclockwise.



Air bubble at 9 o'clock:

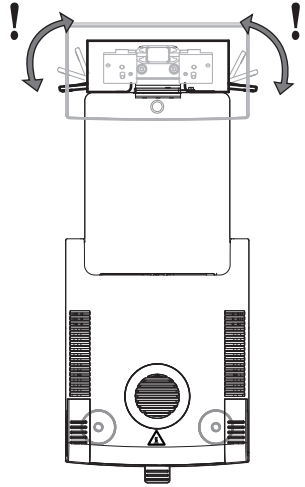


Turn left foot counterclockwise, turn right foot clockwise.



Leveling the drying unit with optional stand for terminal mounted.

- The drying unit is positioned at the selected location.
- 1 To loose the clamps for the safety feet of the stand, turn them outwards.
- 2 Level the drying unit as previously described.
- 3 To lock the clamps for the safety feet, turn them inwards as far as they will go.



4.7 Setting date and time

Navigation: Home > Settings > Instrument settings > Regional Settings

When you put your new instrument into operation for the first time, you should enter the current date and time. These settings are retained even if you disconnect your instrument from the power supply.

Note

Various languages are available for the dialog with your instrument and can be selected in the menu:

Navigation: Settings > User preferences.

Set the current date

- **Regional Settings** is selected.
- 1 Tap **Date**.
- 2 Set day, month and year.
- 3 Confirm with [**Set date**].

Set the current time

- **Regional Settings** is selected.
- 1 Tap **Time**.
- 2 Set Hours and minutes.
- 3 Confirm with [**Set time**].

4.8 Adjustments

Adjust the instrument in the following cases:

- Before the instrument is used for the first time.
- If a test has failed.
- If the instrument has been disconnected from the power supply or in the event of power failure.
- After significant environmental changes, e.g., temperature, humidity, air draft or vibrations.
- At regular intervals.

METTLER TOLEDO offers an adjustment service. For more information, contact your METTLER TOLEDO service representative.

The following adjustment options are possible:

- Balance adjustment with external weight
- Temperature adjustment with temperature kit
- To verify the overall performance of the Moisture Analyzer after the aforementioned adjustments, perform a SmartCal test.

For more information to perform these operations see

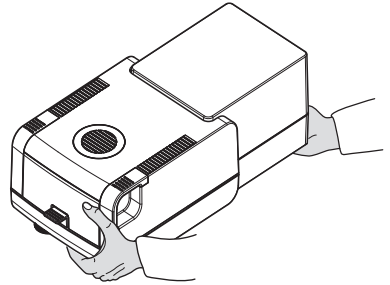
▶ www.mt.com/HS153-RM

4.9 Transporting, packing and storing

4.9.1 Transporting the Moisture Analyzer

Transporting the Moisture Analyzer over short distances

- 1 Switch off the instrument and unplug all interface cables.
- 2 Hold the instrument with both hands as shown.
- 3 Carefully lift the instrument and carry it in horizontal position to the new location.



Transporting the Moisture Analyzer over long distances

For transporting the Moisture Analyzer over long distances, always use the original packaging or the designated transport case (see "Accessories").

4.9.2 Putting into operation after transport

Putting into operation after transport:

- 1 Connect drying unit and terminal.
 - 2 Check the level status. Level the Moisture Analyzer if necessary.
 - 3 METTLER TOLEDO recommends to perform weight and temperature tests and, if necessary, adjustments after transporting the Moisture Analyzer.
- ➔ The Moisture Analyzer has been put into operation and is ready to use.

See also

- 🔗 Connecting instrument ▶ Page 9
- 🔗 Setting up the instrument ▶ Page 9

4.9.3 Packing and storing

Packing the moisture analyzer

Store all parts of the packaging in a safe place. The elements of the original packaging are developed specifically for the moisture analyzer and its components, and ensures optimal protection during transportation and storage.

Storing the moisture analyzer

Store the moisture analyzer under following conditions:

- Indoor and in the original packaging.

- According to the environmental condition, see "Technical data".

Note

When storing for longer than six months, the rechargeable battery may be down (date and time get lost).

See also

 General data ▶ Page 19

5 Maintenance

To guarantee the functionality of the moisture analyzer and the accuracy of the results, a number of maintenance actions must be performed by the user.

5.1 Maintenance tasks

Maintenance action	Recommended interval	Remarks
Cleaning	Depending on the degree of pollution or your internal regulations clean the instrument: <ul style="list-style-type: none"> • After every use • After change of sample 	see chapter "Cleaning"
Performing routine tests (Weight test, temperature test, SmartCal test)	<ul style="list-style-type: none"> • After cleaning • After a software update 	see chapter "Test"
Performing adjustments (weight adjustment, temperature adjustment)	<ul style="list-style-type: none"> • After changing the location • If a test indicates that an adjustment is needed 	see chapter "Adjustments"
Replacing the dust filter (if used)	<ul style="list-style-type: none"> • Depending on the degree of pollution 	see chapter "Replacing the dust filter"



For further information, consult the Reference Manual (RM).

5.2 Cleaning



WARNING

Death or serious injury due to electric shock

Contact with parts that carry a live current can lead to injury and death. If the instrument cannot be shut down in an emergency situation, people can be injured or the instrument can be damaged.

- Disconnect the instrument from the power supply before cleaning or performing other maintenance work.



CAUTION

Burns due to hot surfaces

The interior parts of the heating module as well as the parts in the sample chamber can reach temperatures that can cause injuries if touched.

- Wait until the heating module has cooled down completely before performing any maintenance task.



NOTICE

Damage to the instrument due to inappropriate cleaning methods

If liquid enters the housing, it can damage the instrument. The surface of the instrument can be damaged by certain cleaning agents, solvents, or abrasives.

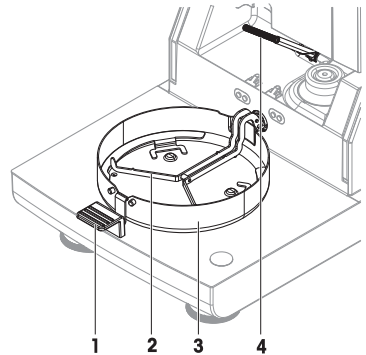
- 1 Do not spray or pour liquid on the instrument.
- 2 Only use the cleaning agents specified in the Reference Manual (RM) of the instrument.
- 3 Only use a lightly moistened, lint-free cloth or a tissue to clean the instrument.
- 4 Wipe off any spills immediately.

Protective equipment:

- Gloves
- Goggles

5.2.1 Sample chamber

- Sample chamber is open.
- 1 Remove the sample pan handler (1), the sample pan holder (2) and the draft shield (3) for cleaning.
 - 2 Carefully remove any deposits from the black temperature sensor (4).



5.2.2 Heating module



CAUTION

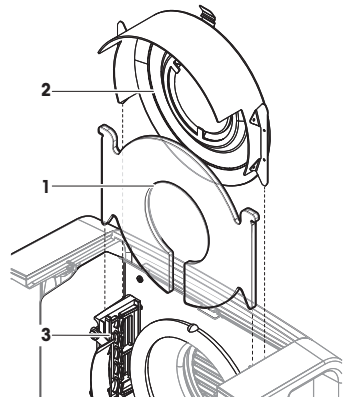
Burns due to hot surfaces

The round halogen lamp can reach temperatures that can cause injuries if touched.

- 1 Do not remove the halogen lamp.
- 2 Wait until the heating module has cooled down completely before cleaning.
- 3 Remove any splashes, deposits, or spots from the halogen lamp with a mild organic solvent such as ethanol.

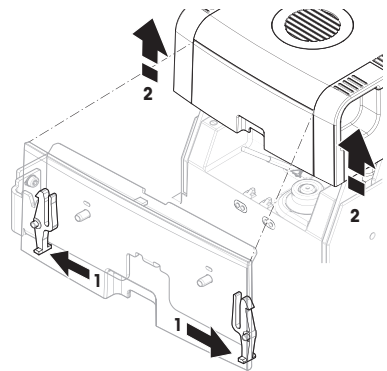
Overview

- 1 Protective glass
- 2 Reflector with inspection window glass
- 3 Halogen lamp



Opening heating module for cleaning

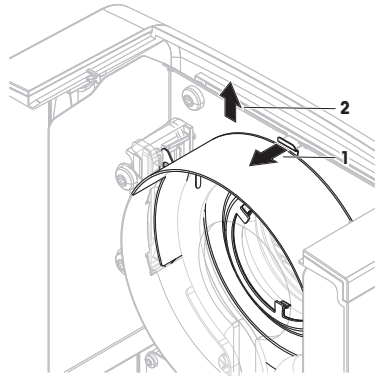
- Sample chamber is open.
- 1 Inside, there is a locking device on each side. Push both outwards (together) for unlocking (1). Do not hold the module while unlocking it.
 - ➔ The upper part has been unlocked on both sides.
 - 2 Open the heating module (2).



Removing reflector with inspection window glass for cleaning

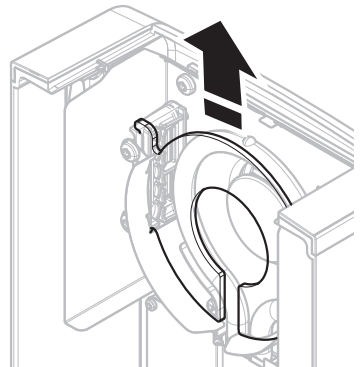
- 1 To unlock, pull the spring clip (1) forwards.

- 2 Pull out the reflector (2) upwards off the bracket.



Removing protective glass for cleaning

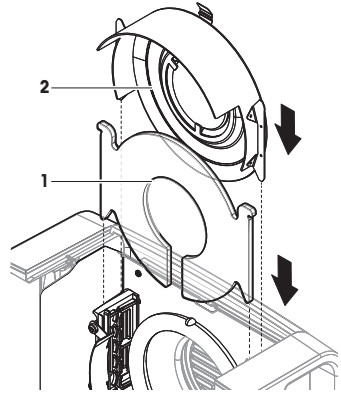
- Reflector is removed.
- Pull out the protection glass upwards off the bracket.



Reassembling after cleaning

- All parts are cleaned.
- 1 Insert the protective glass (1).


- 2 Insert the reflector with inspection window glass (2) (until it clicks). The lamp must be located in front of the reflector. Do not touch the lamp with your fingers.
- 3 Close the heating module (until it clicks).



5.2.3 Fan grill

The air inlet of the fan is located at the rear of the instrument and its exterior should be cleaned from time to time to free it from any dust deposits.

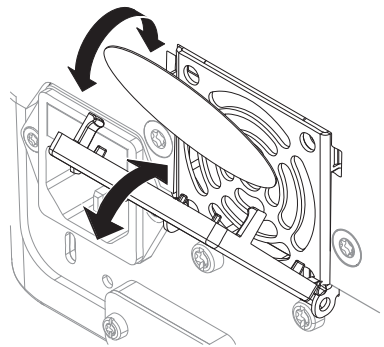
5.2.4 Putting into operation after cleaning

- 1 Reassemble the moisture analyzer.
 - 2 Connect the moisture analyzer to the power supply.
 - 3 Press  to switch on the moisture analyzer.
 - 4 Check the level status, level the moisture analyzer if necessary.
 - 5 Respect the warm-up time specified in the "Technical Data".
 - 6 Perform a routine test according to the internal regulations of your company. METTLER TOLEDO recommends performing a SmartCal test after cleaning the balance.
- ➔ The moisture analyzer is ready to be used.

5.3 Replacing the dust filter

If you use a dust filter for your Moisture Analyzer, check the filter pollution at regular intervals. For replacement filters **see** Accessories and Spare Parts.

- 1 Open the filter lid.
- 2 Replace the dust filter.



6 Technical Data

6.1 General data

Power supply

110 V AC Version	100 V–120 V, 50/60 Hz, 4 A
230 V AC Version	200 V–240 V, 50/60 Hz, 2 A
Voltage fluctuations	-15%+10%
Power load	max. 450 W during drying process
Power line fuse	5 x 20 mm, T6.3 AH 250 V (6.3 A, time-lag T, high breaking capacity)
Overvoltage category	II
Degree of pollution	2
Standards for safety and EMC	see Declaration of Conformity (part of standard equipment)
Range of application	for use in dry interior rooms
Height above sea level	< 4000 m
Ambient temperature range	Operation: +10 °C to +30 °C (operability guaranteed +5 °C to +40 °C)
Relative air humidity	max. 80% up to +31 °C, linearly decreasing to 50% at +40 °C 20% - 80% and non-condensing conditions.
Warm-up time	At least 60 minutes after connecting the instrument to the power supply. When switched on from standby, the instrument is ready for operation immediately.

Materials

Drying unit

Housing	PBT-GB20
Inspection window grill	PEEK-HT G22 (UL 94 V-0)
Protective glass	Glass ceramics
Halogen lamp	Quartz glass
Reflector	Stainless steel, X2CrNiMo17-2 (1.4404)
Reflector bracket	PEEK-HT G22 (UL 94 V-0)
Draft shield, interior bottom plate	Stainless steel, X2CrNiMo17-2 (1.4404)

Terminal

Top housing	EN ZL-ZnAl4Cu1 (EN ZI-0410)
Bottom housing	PA12 GB30

7 Disposal

In conformance with the European Directive 2012/19/EU on Waste Electrical and Electronic Equipment (WEEE) this device may not be disposed of in domestic waste. This also applies to countries outside the EU, per their specific requirements.



Please dispose of this product in accordance with local regulations at the collecting point specified for electrical and electronic equipment. If you have any questions, please contact the responsible authority or the distributor from which you purchased this device. Should this device be passed on to other parties, the content of this regulation must also be related.

To protect your product's future:

METTLER TOLEDO Service assures the quality, measuring accuracy and preservation of value of this product for years to come.

Please request full details about our attractive terms of service.

► www.mt.com/service

www.mt.com/hxhs

For more information

Mettler-Toledo GmbH

Im Langacher 44
8606 Greifensee, Switzerland
www.mt.com/contact

Subject to technical changes.
© 11/2023 METTLER TOLEDO. All rights reserved.
30357057H en



30357057